

**HYPER
TRUGGU**

SS

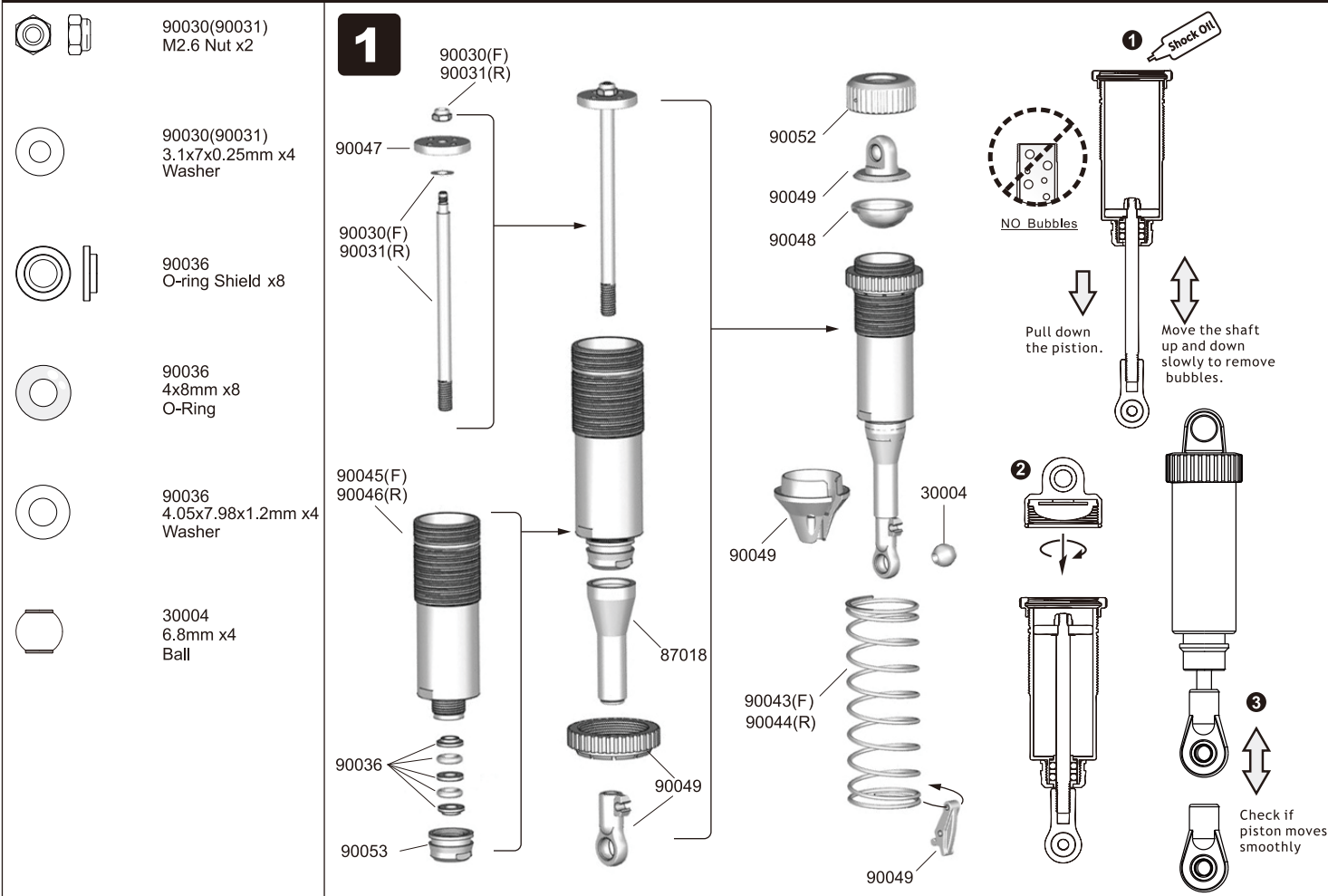
**HYPER
TRUGGU**

HOB AO ENTERPRISING CO., LTD.
www.hobao-racing.com
E-Mail:hobao@hobao.com.tw
Made in Taiwan

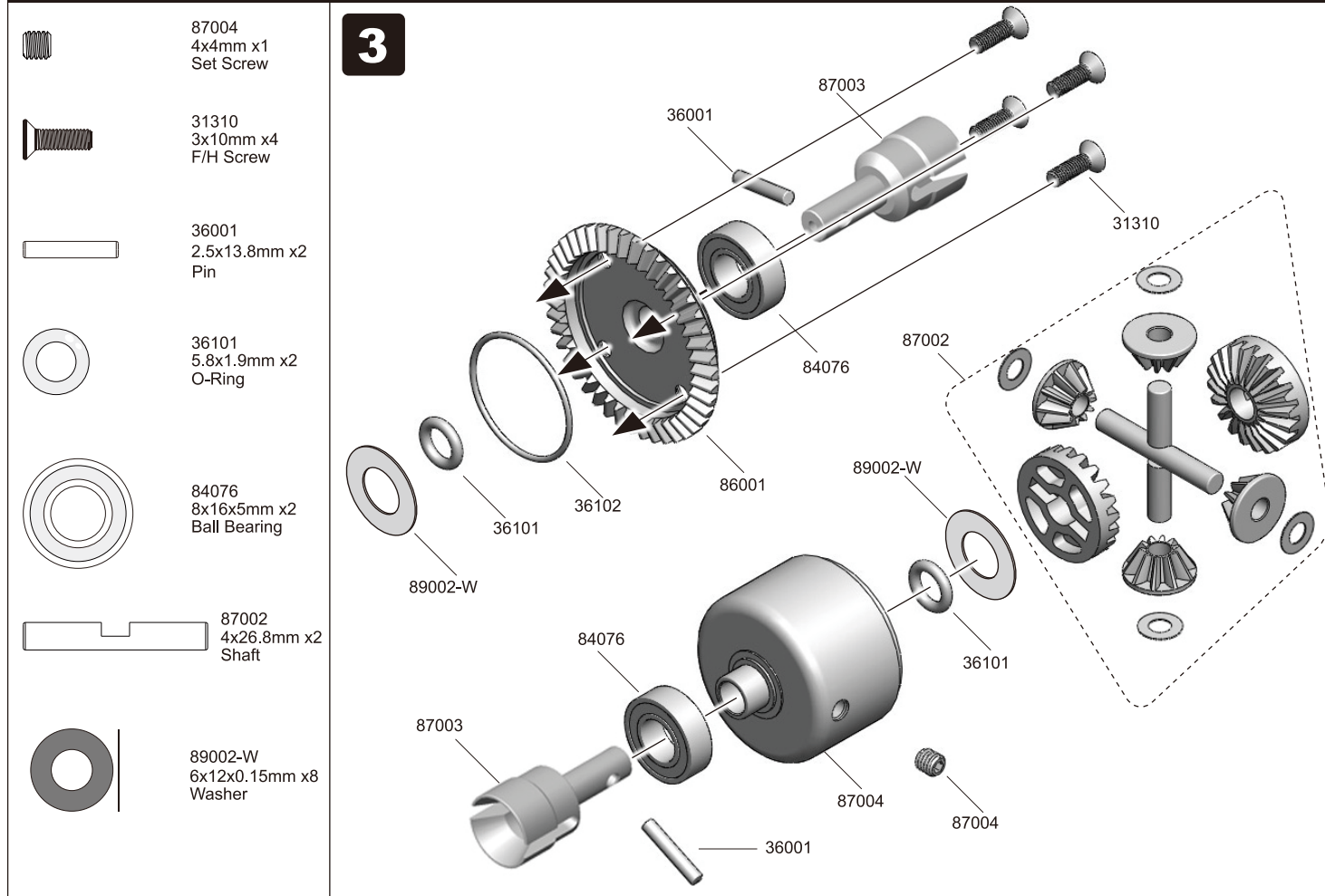
INSTRUCTION MANUAL

Hobao Racing

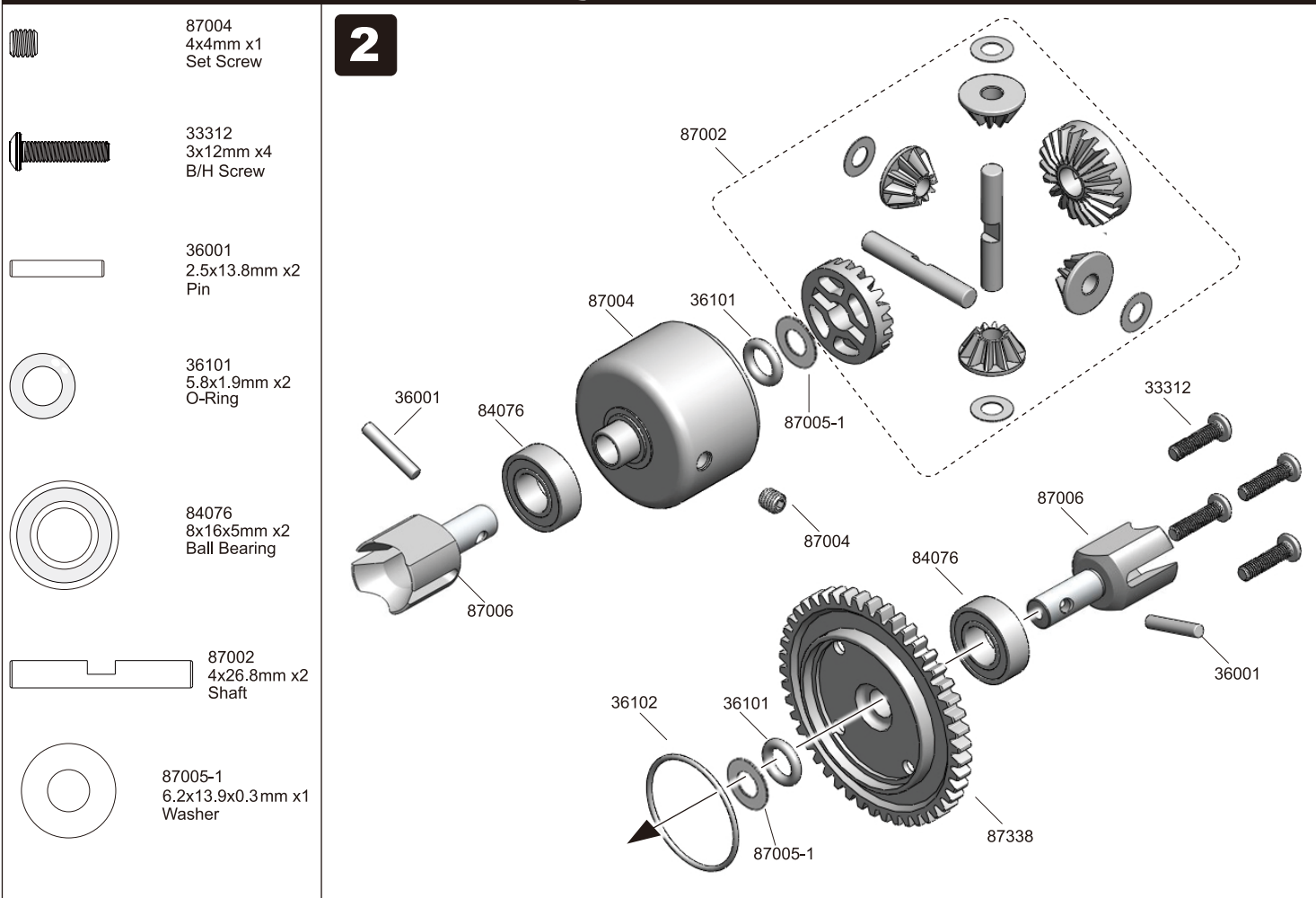
Shock Assembly



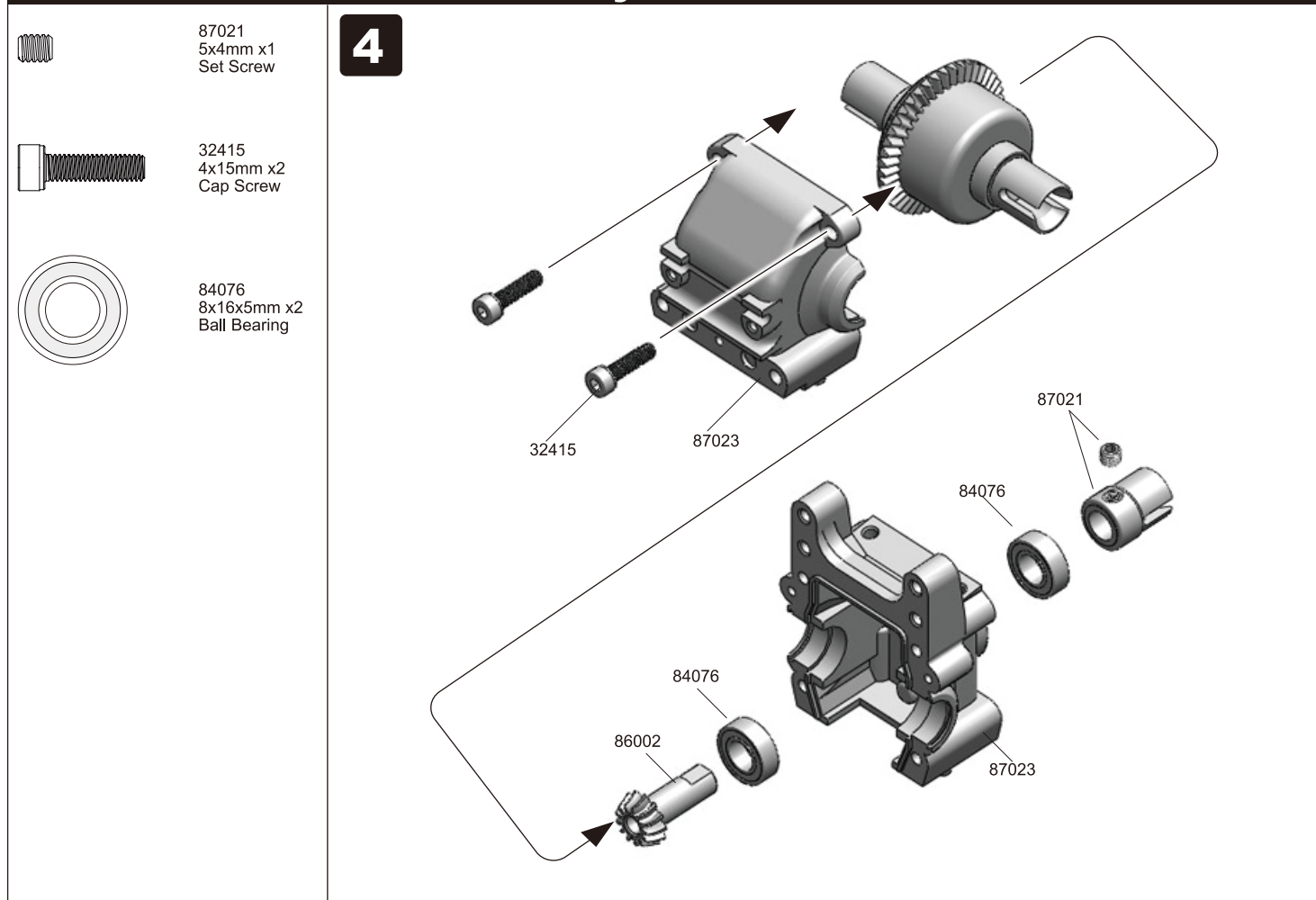
Front/Rear Differential Assembly



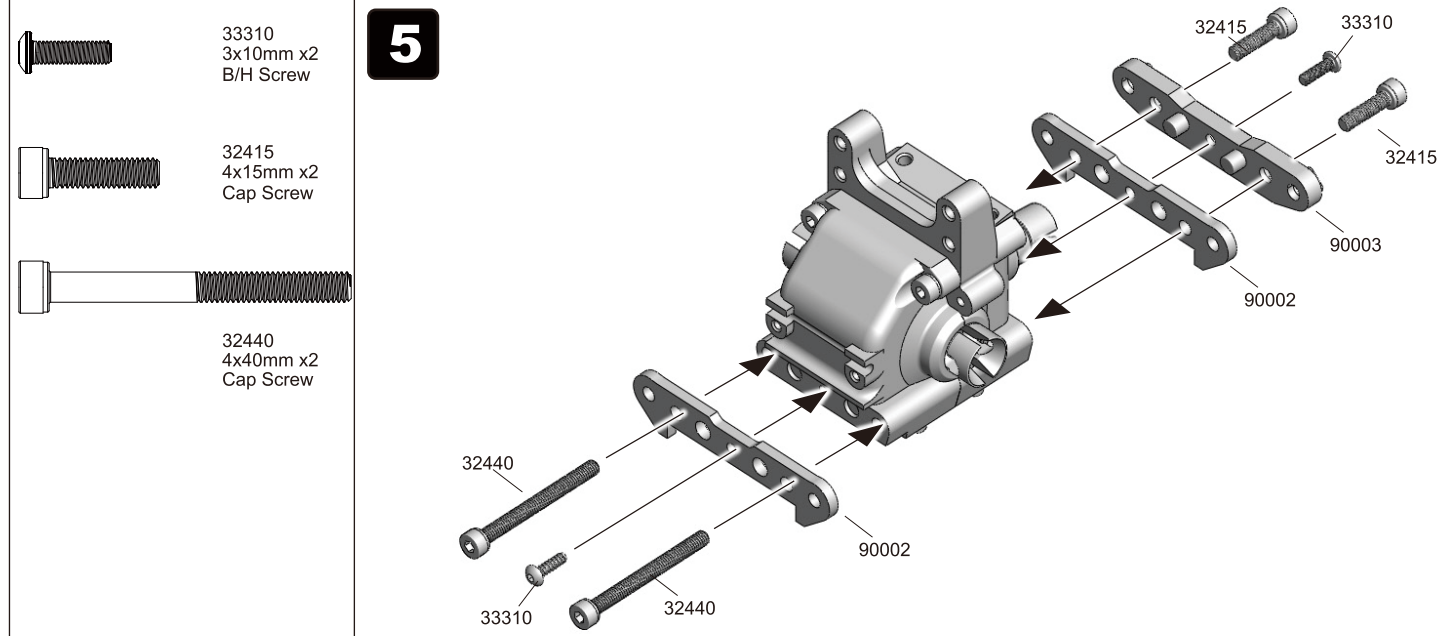
Center Differential Assembly



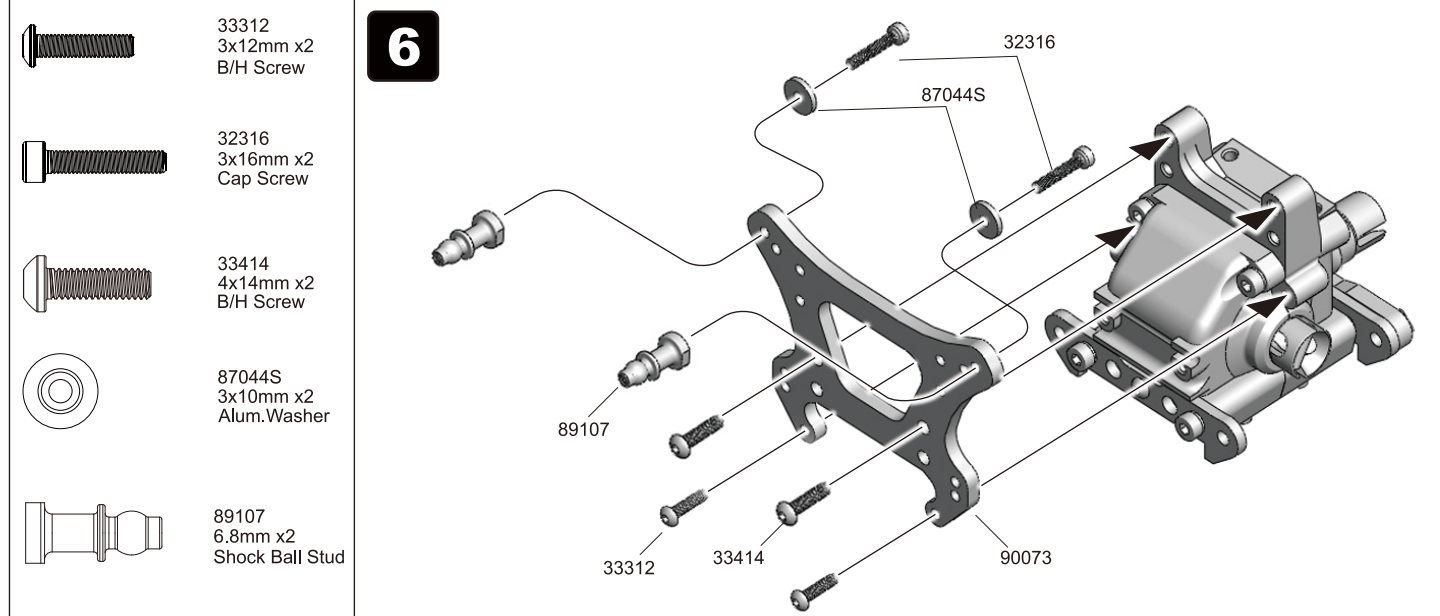
Front/Rear Gear Box Assembly



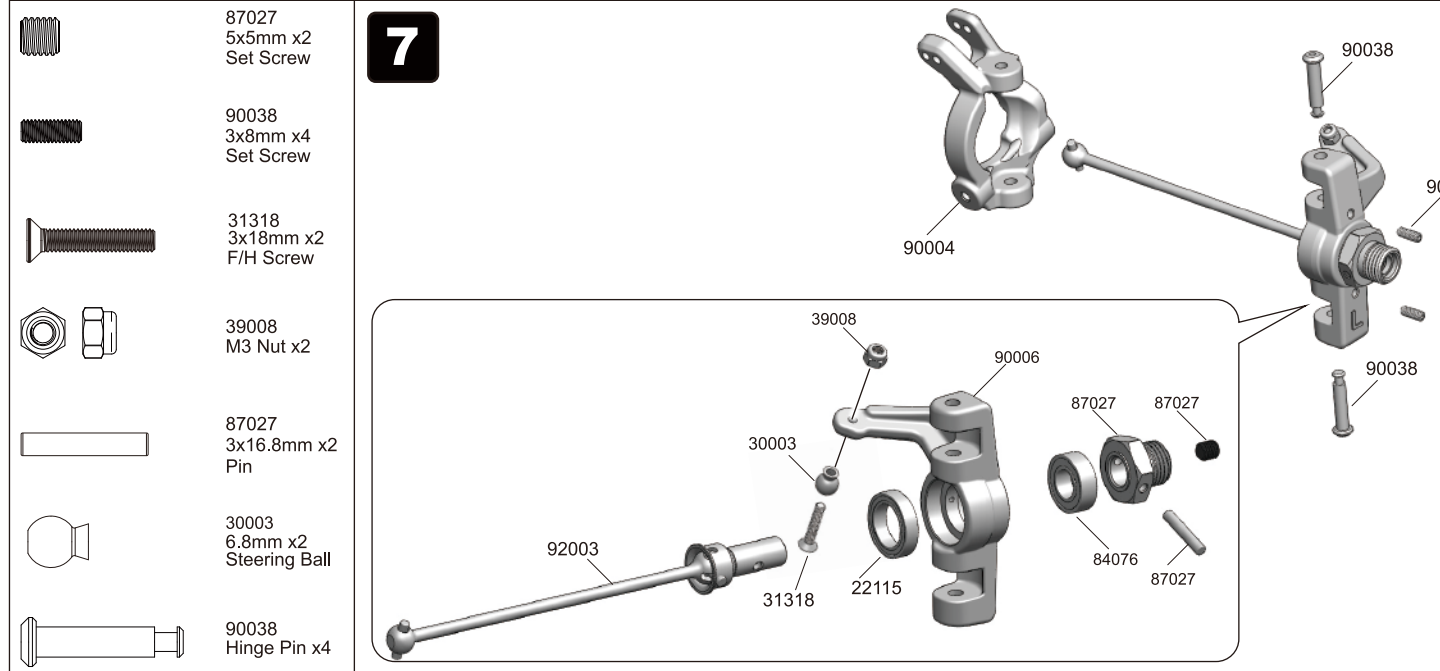
Front Lower Arm Holder Assembly



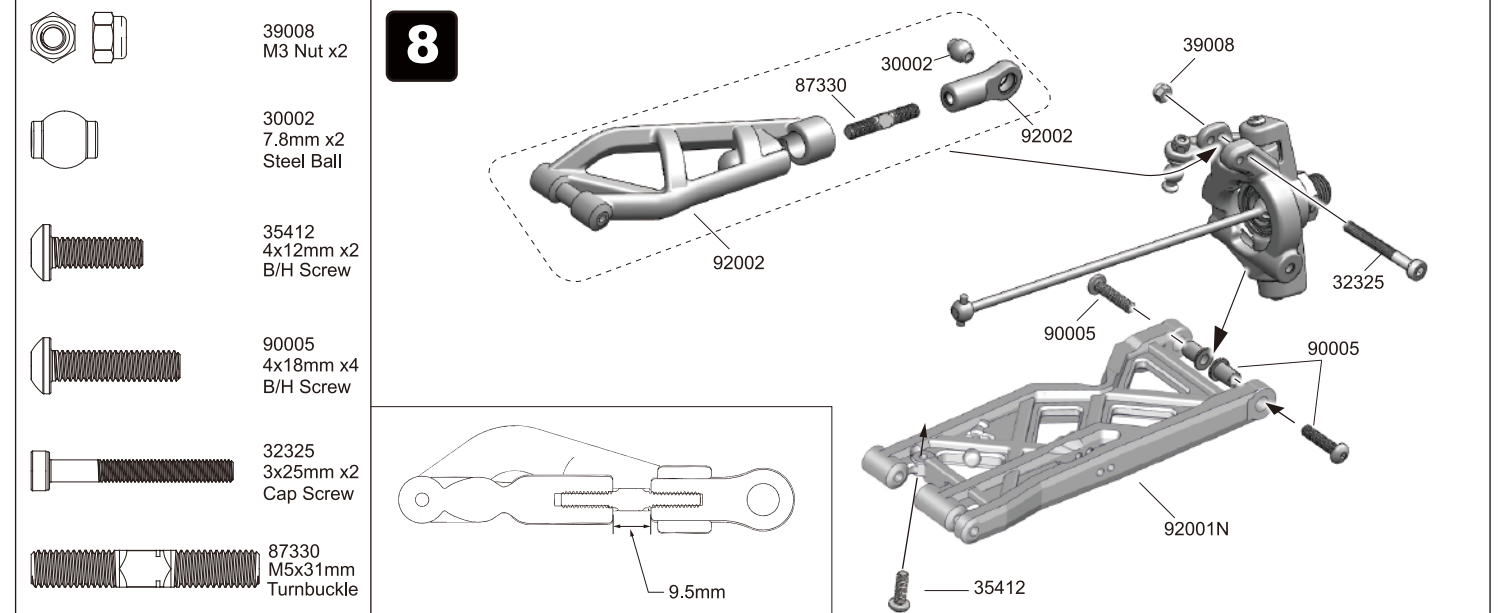
Front Shock Tower Assembly



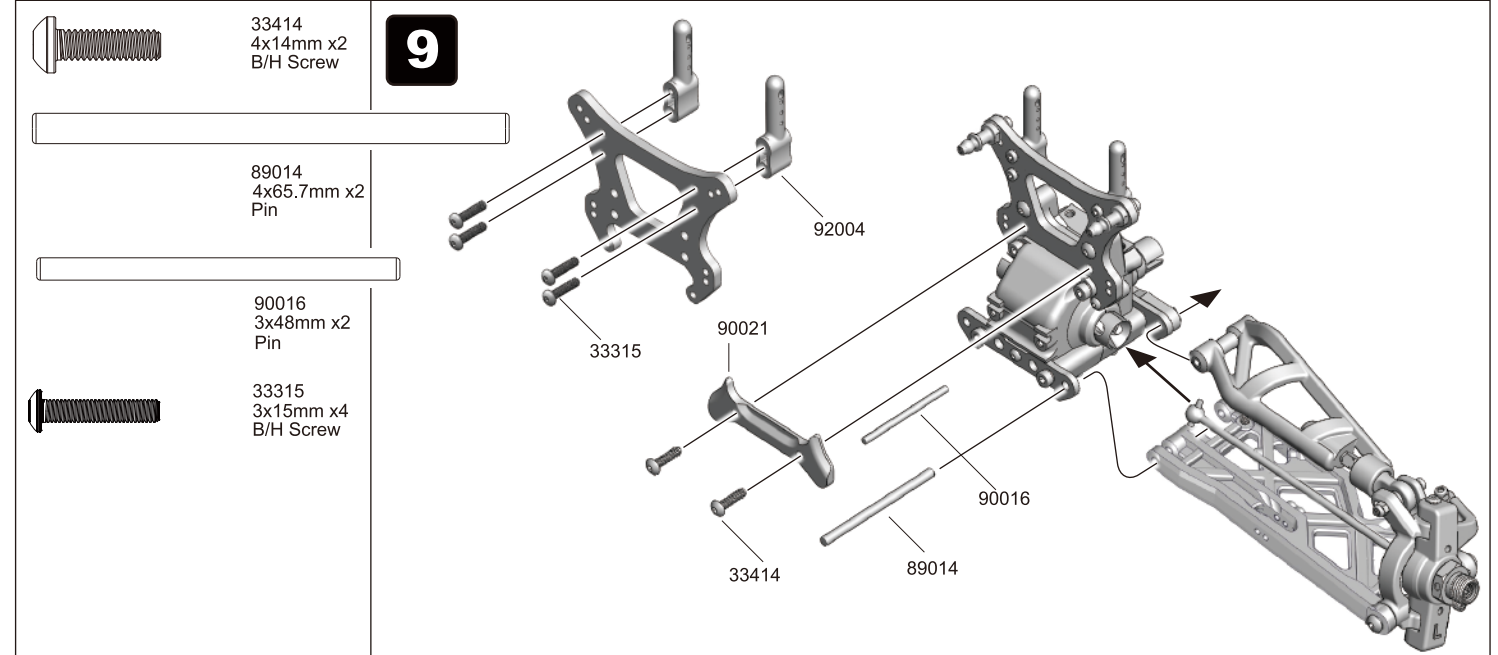
Steering Knuckle Assembly



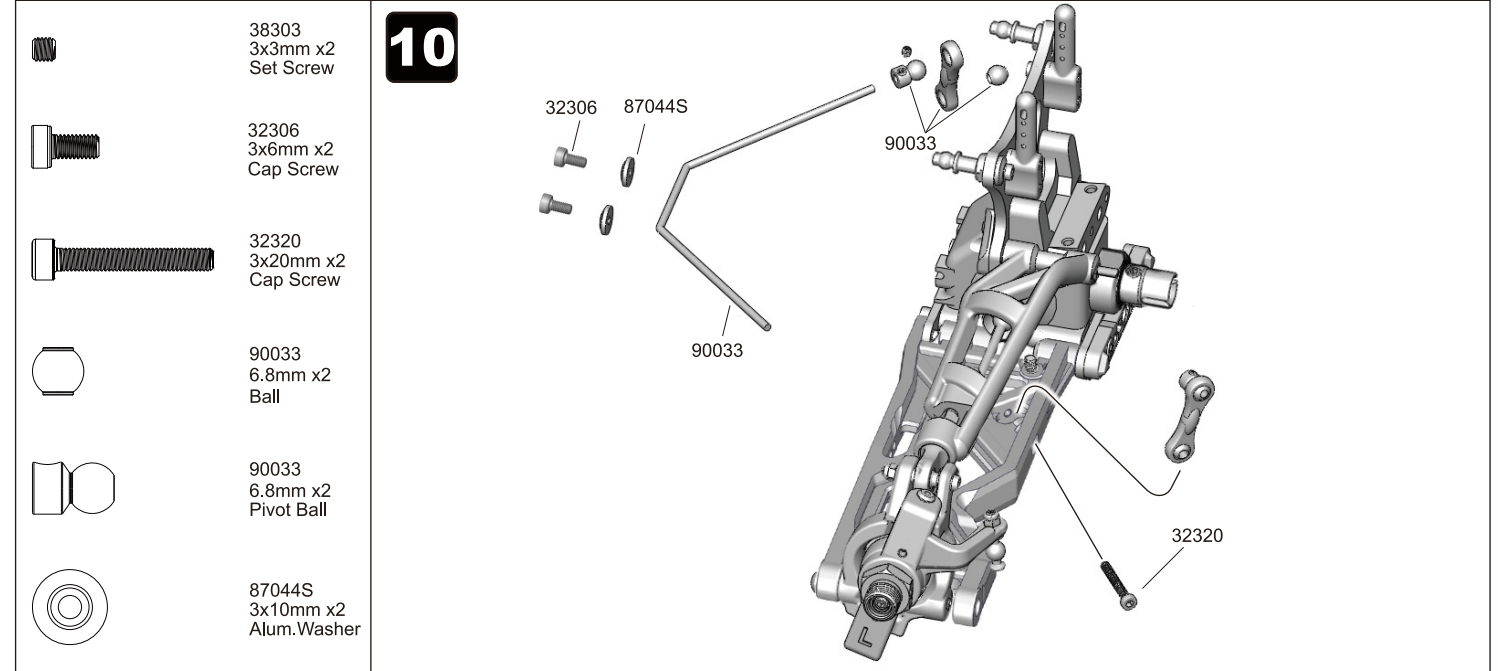
Front Suspension Arm Assembly 1









Front Suspension Arm Assembly 2

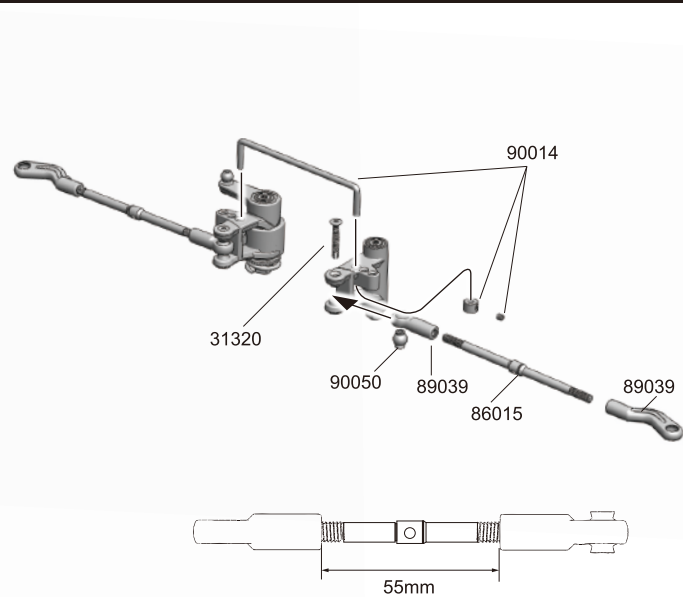
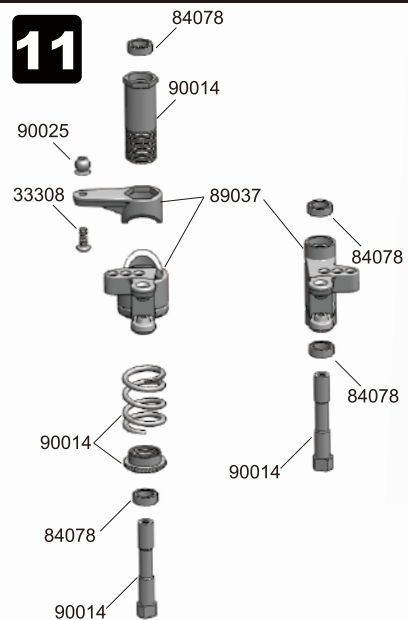


Front Stabilizer Assembly





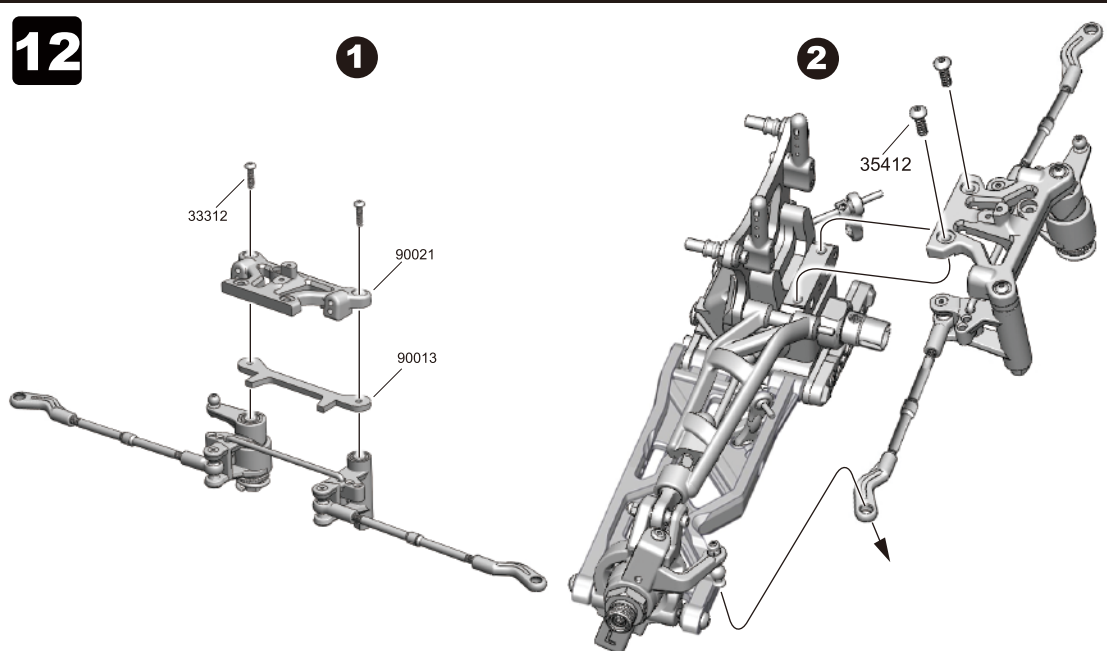
Servo Saver Assembly 1

-  38303
3x3mm x2
Set Screw
-  33308
3x8mm x1
B/H Screw
-  31320
3x20mm x2
F/H Screw
-  90025
5.8mm x1
Ball Flanged
-  84078
6x10x3mm x4
Ball Bearing
-  90050
Ball Flanged x2
-  90014
Collet x2







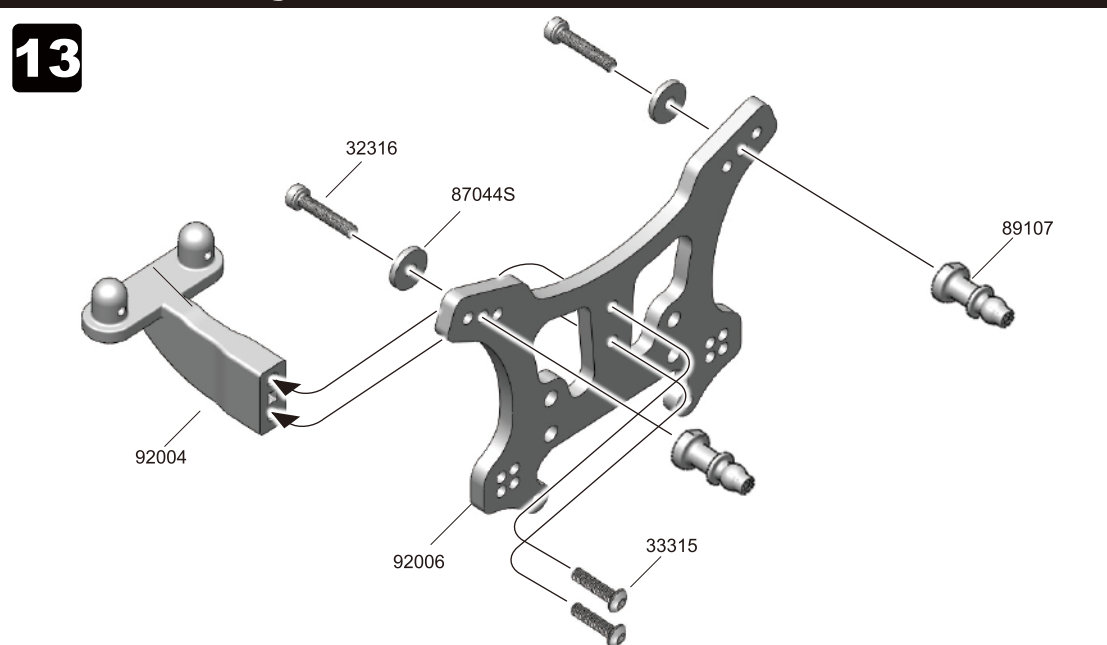
Servo Saver Assembly 2

-  33312
3x12mm x2
B/H Screw
-  35412
4x12mm x2
B/H Screw





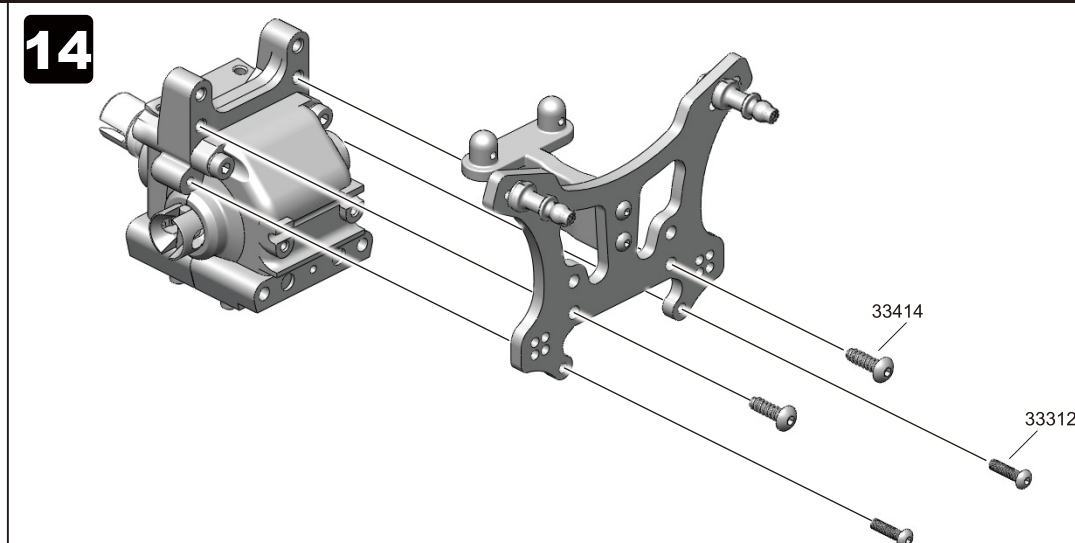
Rear Shock Tower Assembly 1

-  89107
6.8mm x2
Shock Ball Stud
-  87044S
3x10mm x2
Alum. Washer
-  32316
3x16mm x2
Cap Screw
-  33315
3x15mm x2
B/H Screw






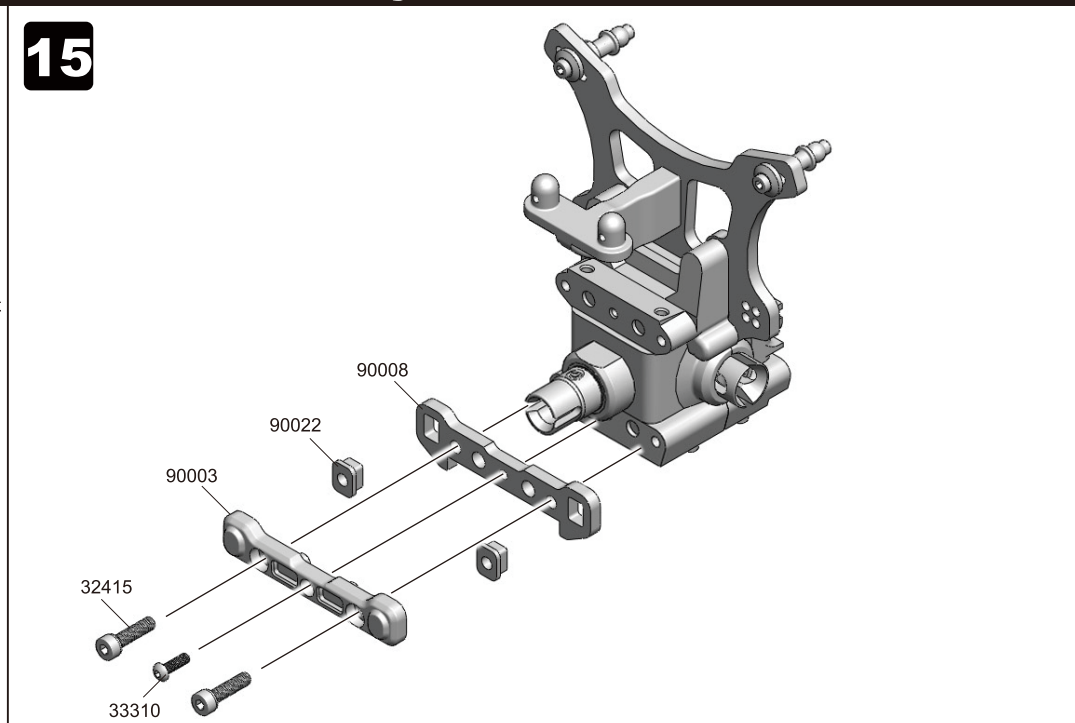
Rear Shock Tower Assembly 2

-  33312
3x12mm x2
B/H Screw
-  33414
4x14mm x2
B/H Screw






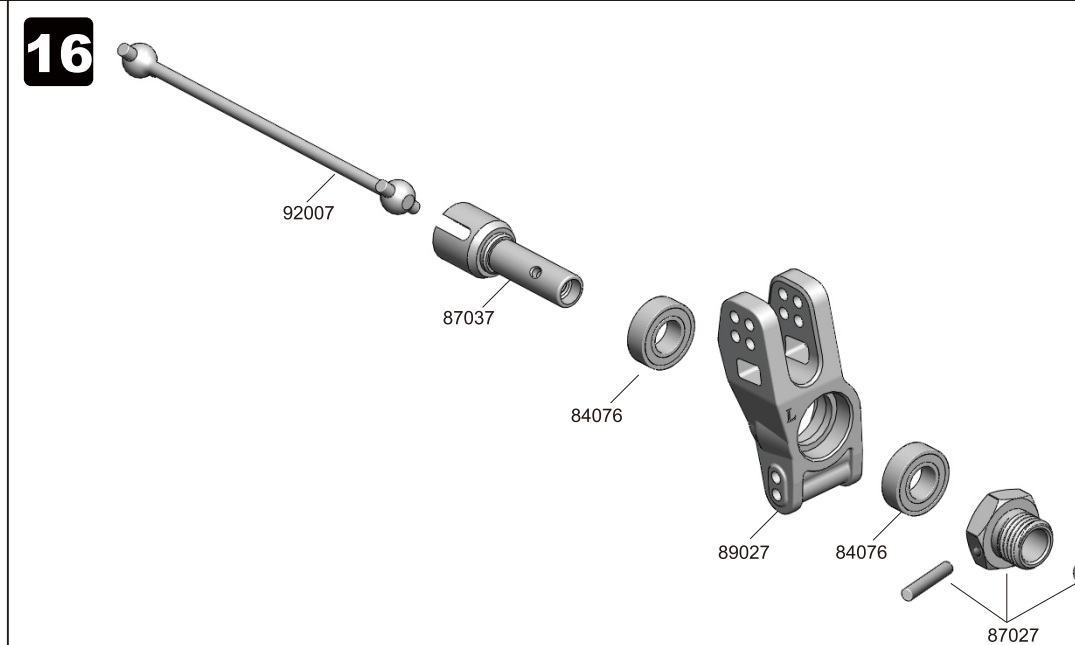
Rear Lower Arm Holder Assembly

-  33310
3x10mm x1
B/H Screw
-  32415
4x15mm x2
Cap Screw
-  90022
Adjustable Insert
x2







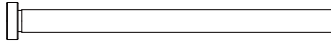


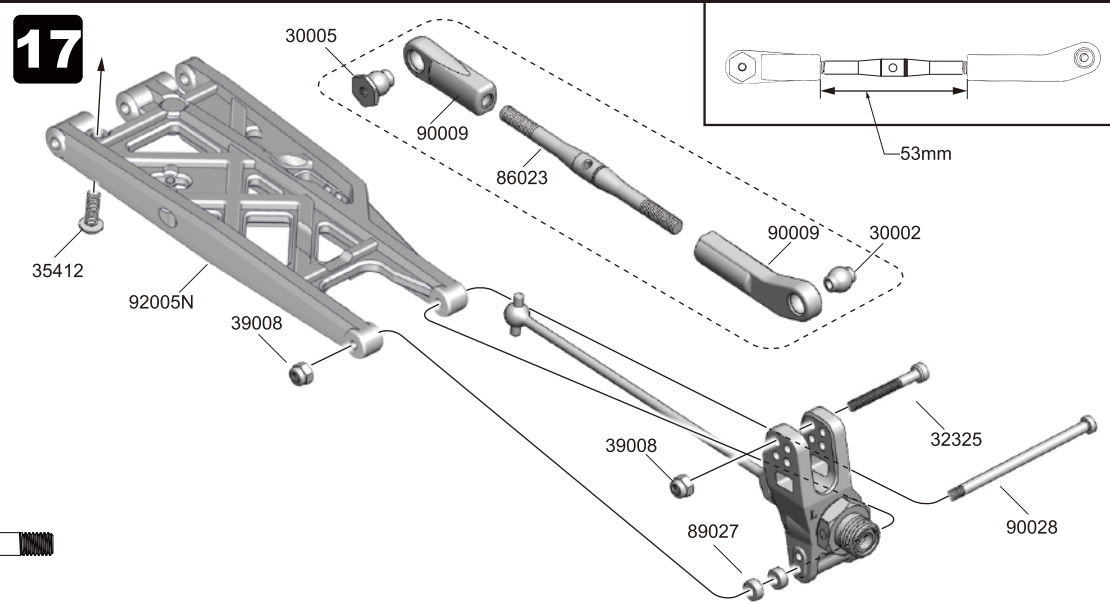
Rear Hub Assembly

-  87027
5x5mm x2
Set Screw
-  87027
2.5x16.8mm x2
Pin
-  84076
8x16x5mm x4
Ball Bearing








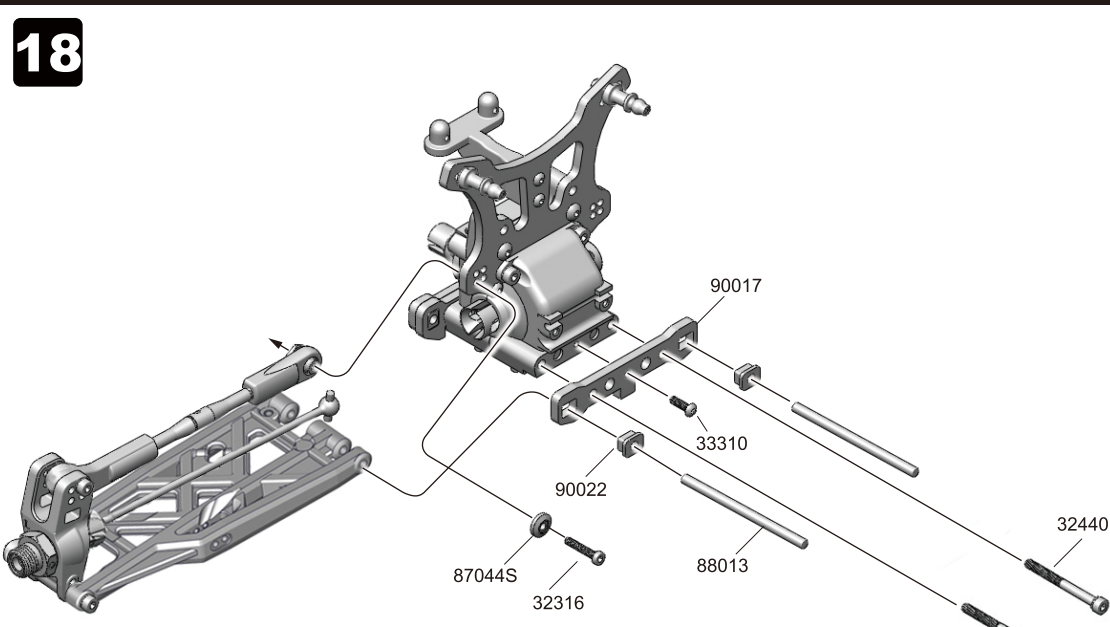
Rear Suspension Arm Assembly 1

-  39008
M3 Nut x2
-  30002
7.8mm x2
Ball Long
-  35412
4x12mm x2
B/H Screw
-  89027
3.1x6.5x2mm x4
Washer
-  30005
Ball Flanged x2
-  32325
3x25mm x2
Cap Screw
-  90028
3x50mm x2
Cap Screw






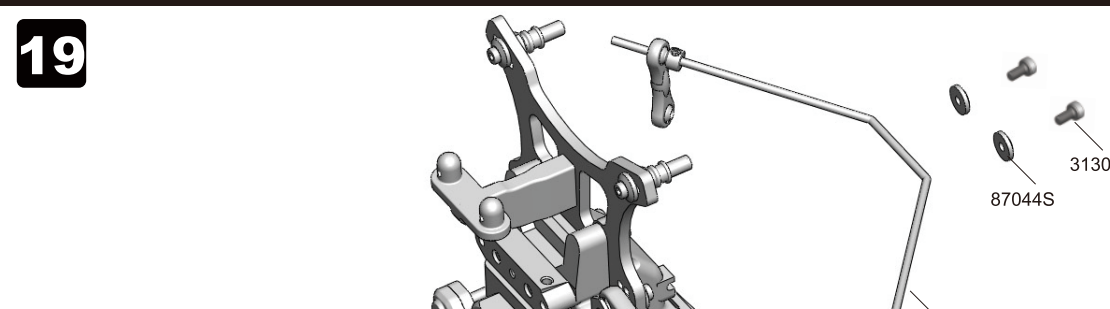
Rear Suspension Arm Assembly 2

-  90022
Adjustable Insert
x2
-  32316
3x16mm x2
Cap Screw
-  87044S
3x10mm x2
Alum. Washer
-  33310
3x10mm x1
B/H Screw
-  32440
4x40mm x2
Cap Screw





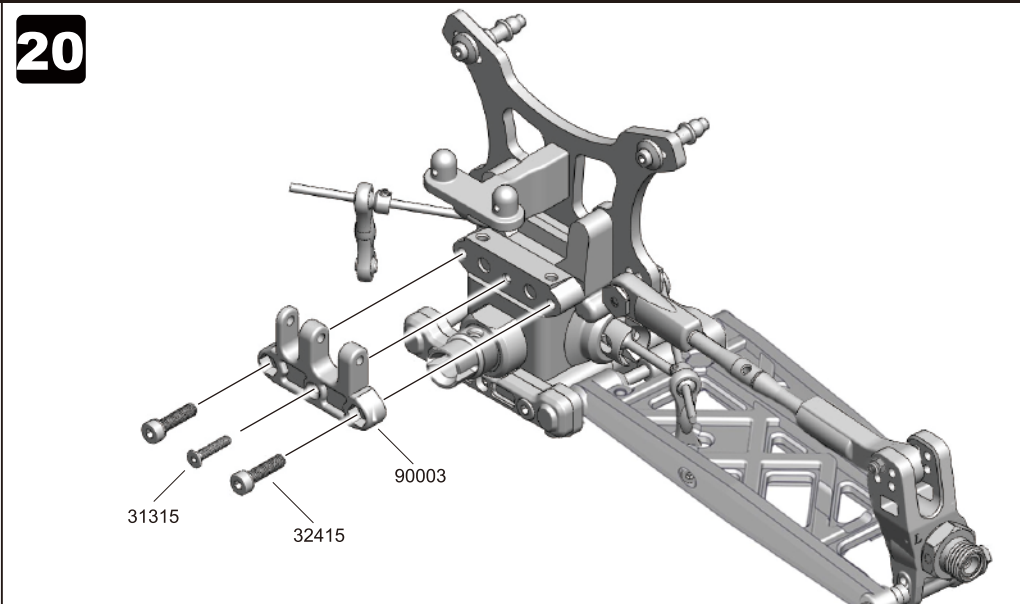
Rear Stabilizer Assembly

-  87044S
3x10mm x2
Alum. Washer
-  32306
3x6mm x2
Cap Screw
-  32320
3x20mm x2
Cap Screw





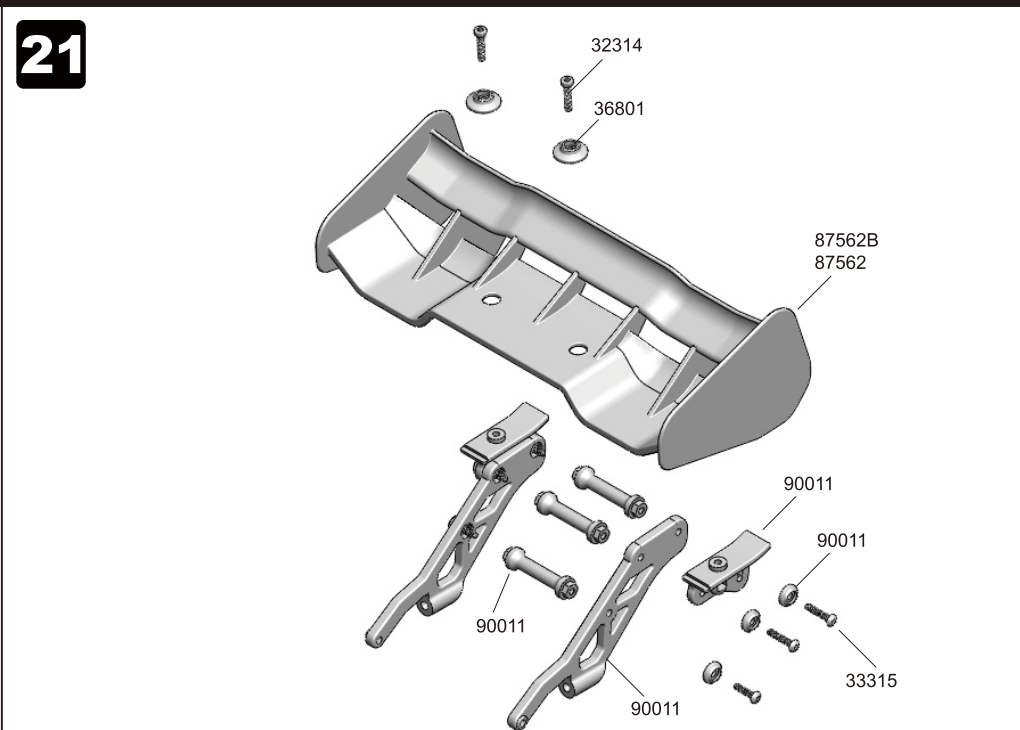
Rear Chassis Stiffener Mount Assembly

-  32415
4x15mm x2
Cap Screw
-  31315
3x15mm x1
F/H Screw




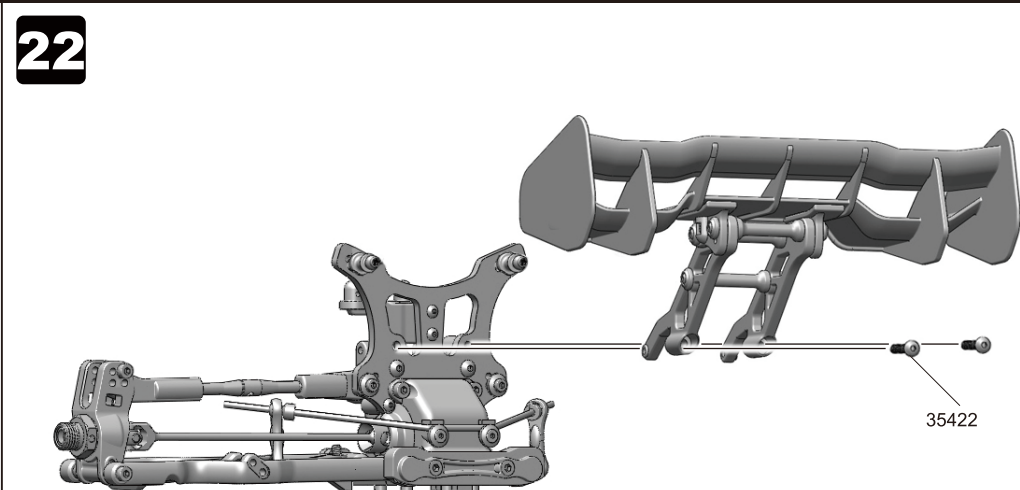
Wing Assembly 1

-  32314
3x14mm x2
Cap Screw
-  33315
3x15mm x6
B/H Screw



Wing Assembly 2

-  35422
4x22mm x2
B/H Screw

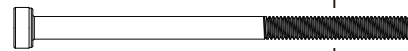


Rear Chassis Stiffener Assembly

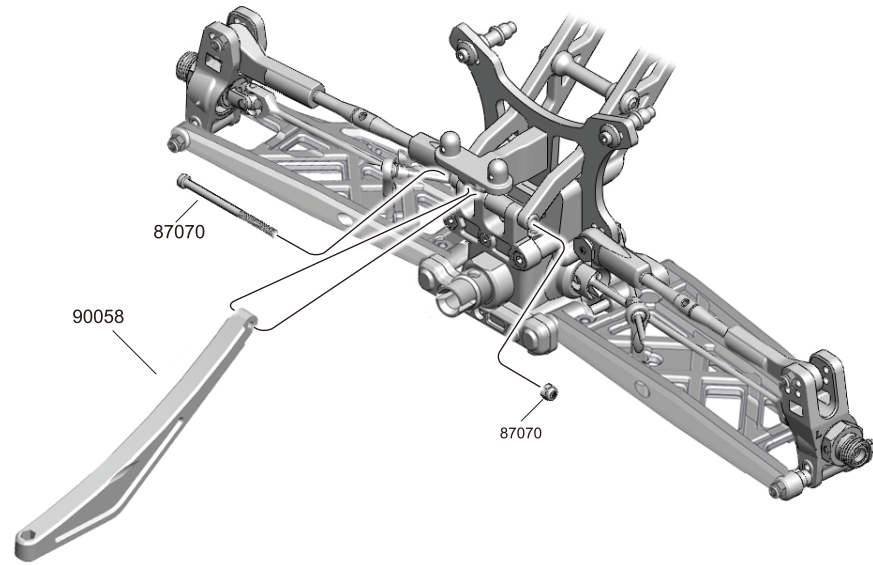


87070
M3 Nut x1

23



87070
3x50mm x1
Cap Screw

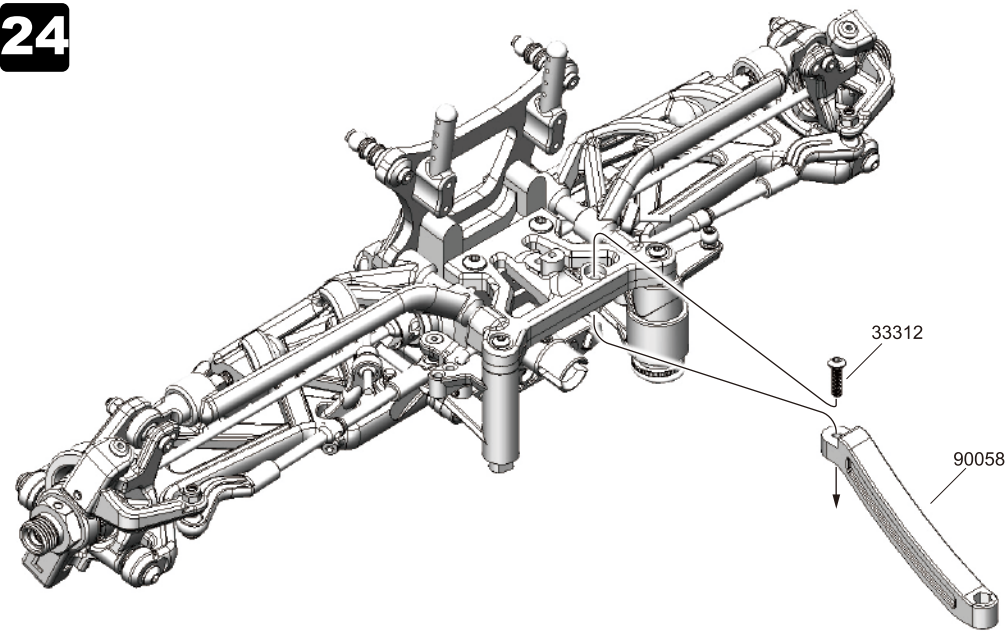


Front Chassis Stiffener Assembly



33312
3x12mm x1
B/H Screw

24



Center Differential Mount Assembly 1



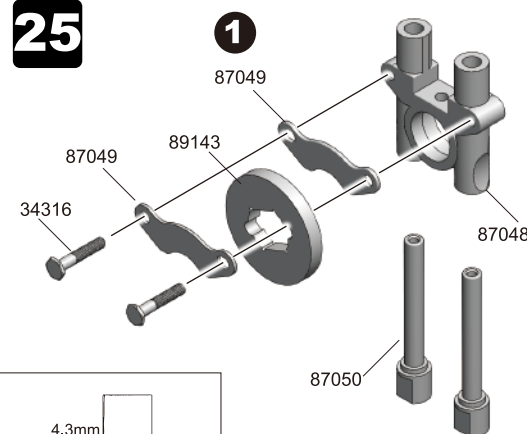
38303
3x3mm x1
Set Screw

25



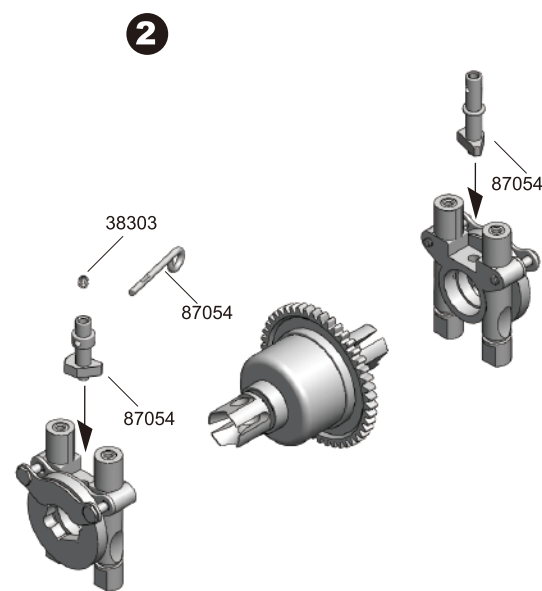
34316
3x16.5mm x4
Hex Screw

1



4.3mm

2



Center Differential Mount Assembly 2

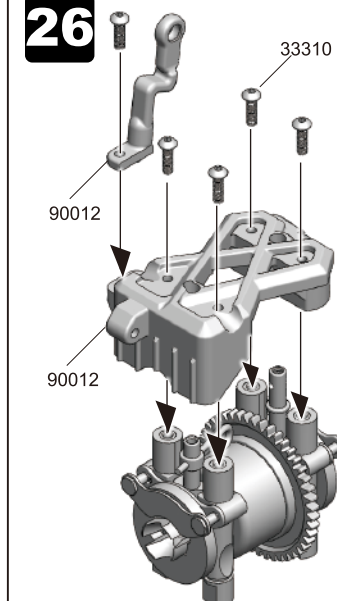


38303
3x3mm x1
Set Screw

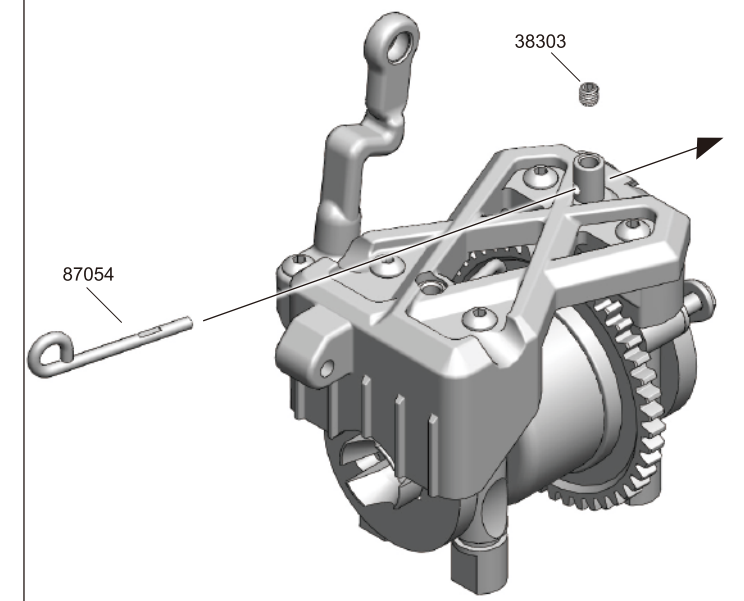
26



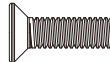
33310
3x10mm x5
B/H Screw



87054



Front Clip Assembly



31414
4x14mm x4
F/H Screw

27



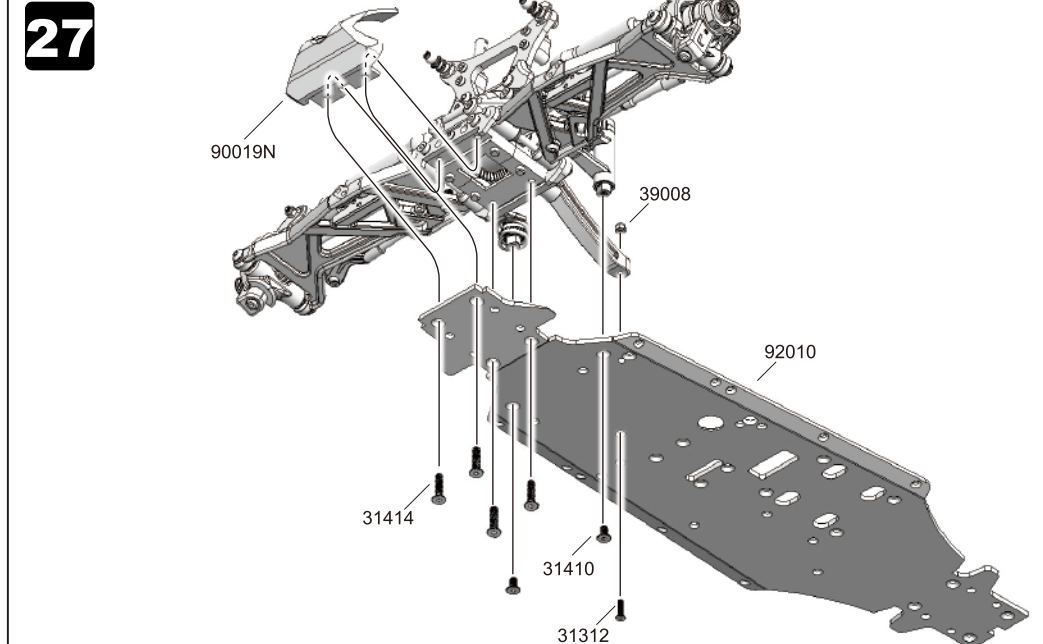
31410
4x10mm x2
F/H Screw



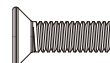
31312
3x12mm x1
F/H Screw



39008
M3 Nut x1



Rear Clip Assembly



31414
4x14mm x4
F/H Screw

28



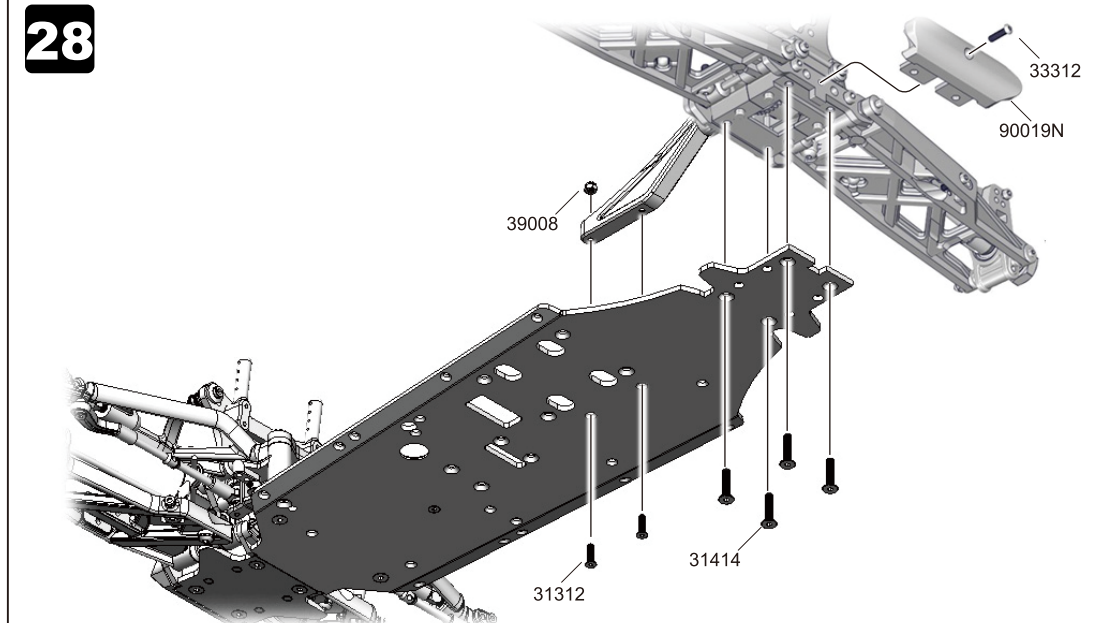
31312
3x12mm x2
F/H Screw



39008
M3 Nut x1



33312
3x12mm x1
B/H Screw

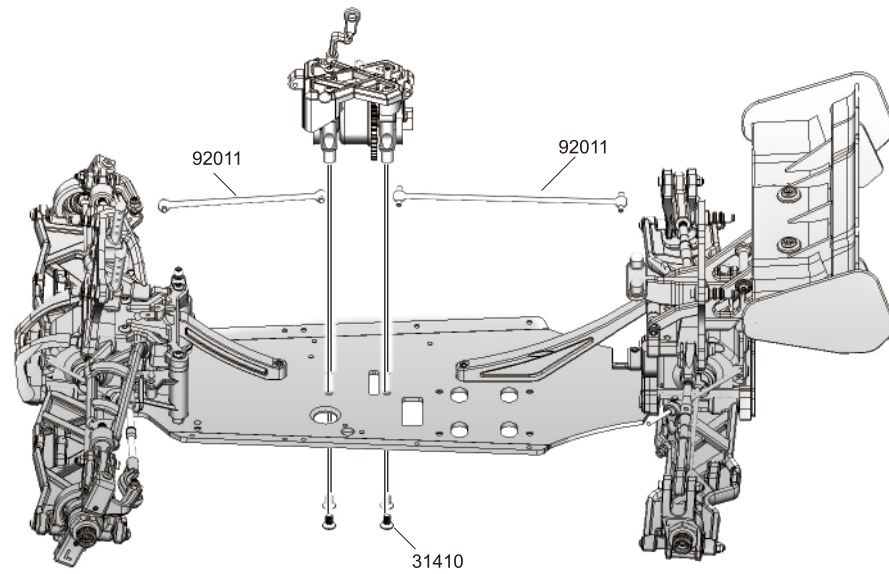


Center Differential Unit Assembly



31410
4x10mm x4
F/H Screw

29

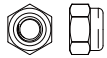


Side Guard Assembly

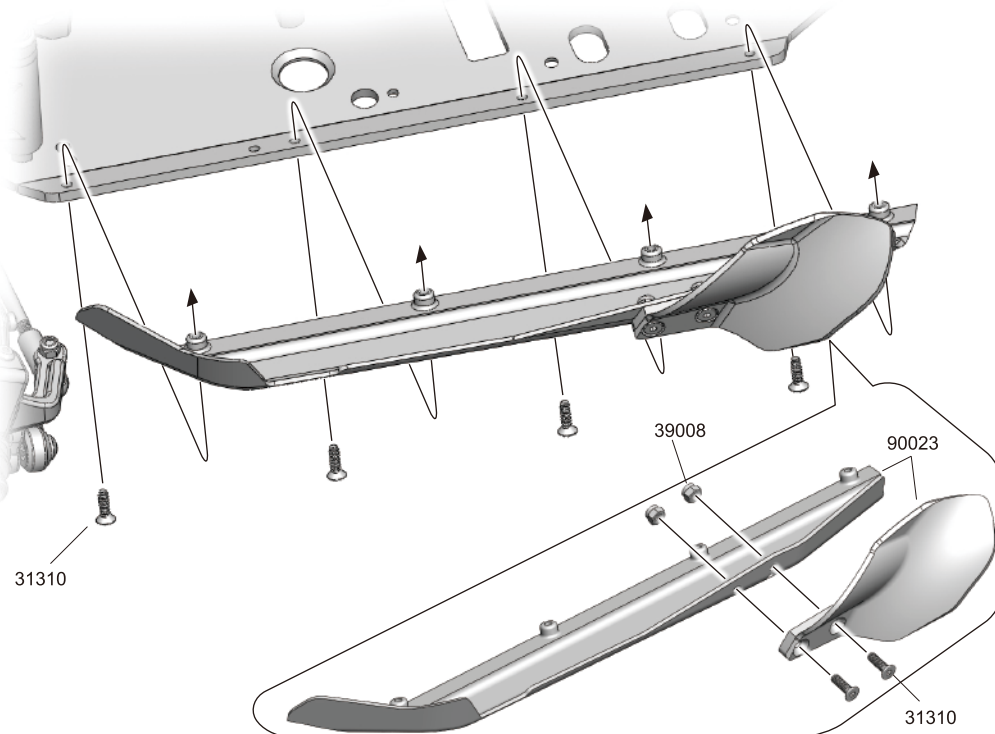


31310
3x10mm x12
F/H Screw

30



39008
M3 Nut x4



Radio Tray Assembly 1



33305
3x5mm x3
B/H Screw

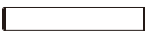
31



33310
3x10mm x1
B/H Screw



35210
2x10mm x2
B/H Screw

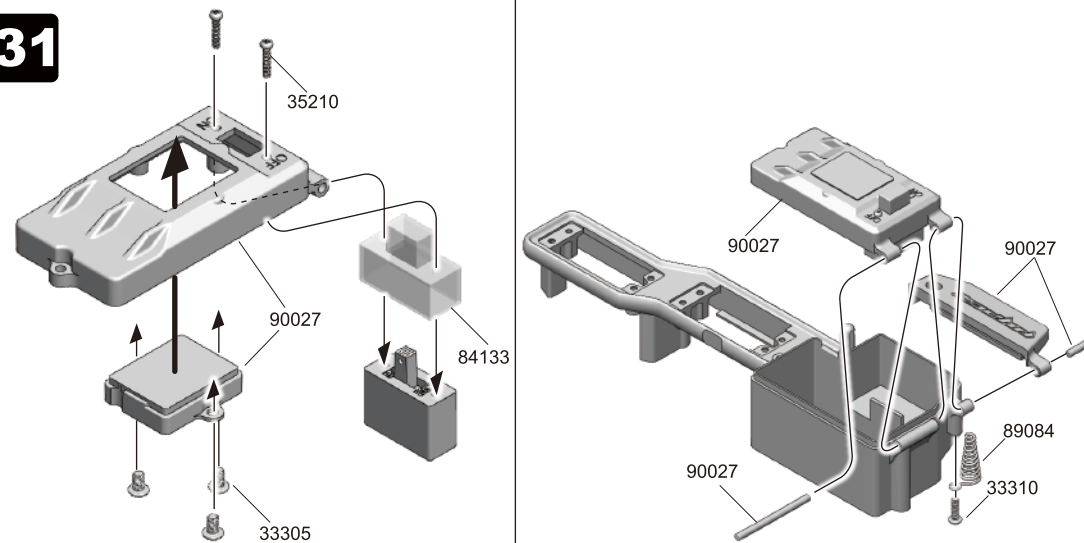


90027
3x18.8mm x1
Pin



90027
3x27.8mm x1
Pin

31

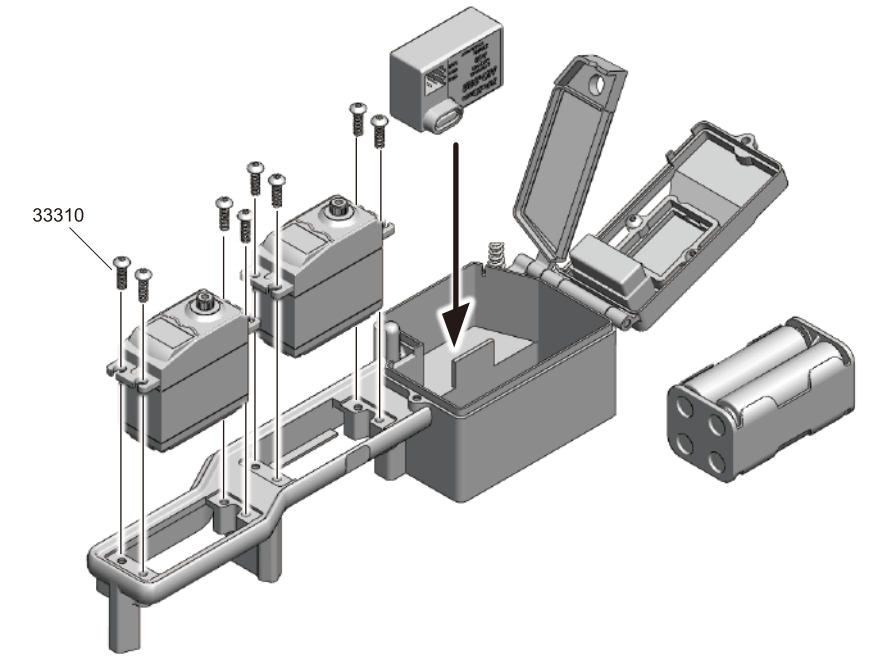


Radio Tray Assembly 2



33310
3x10mm x8
B/H Screw

32



Servo Horn Assembly 1



35208
2x8mm x2
B/H Screw

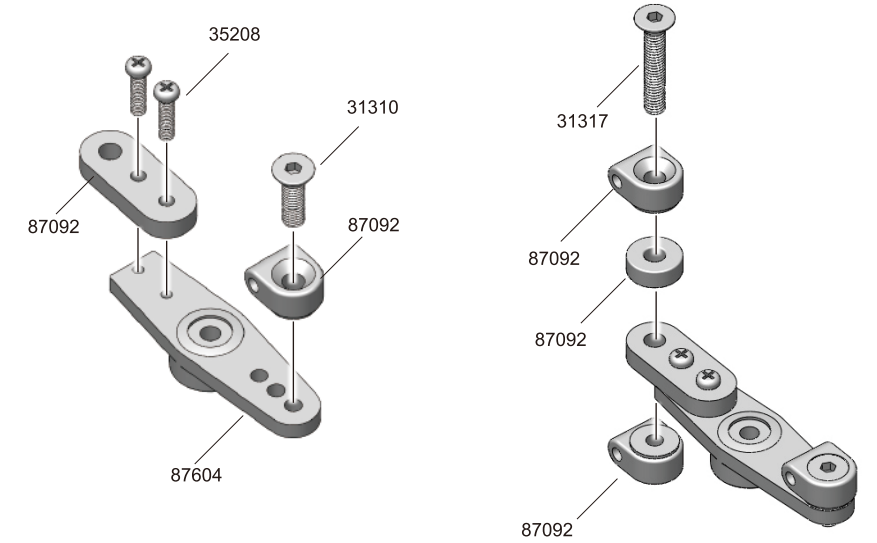
33



31310
3x10mm x1
F/H Screw



31317
3x17mm x1
F/H Screw



Servo Horn Assembly 2

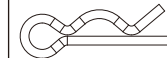


33308T
3x8mm x1
B/H Tap Screw

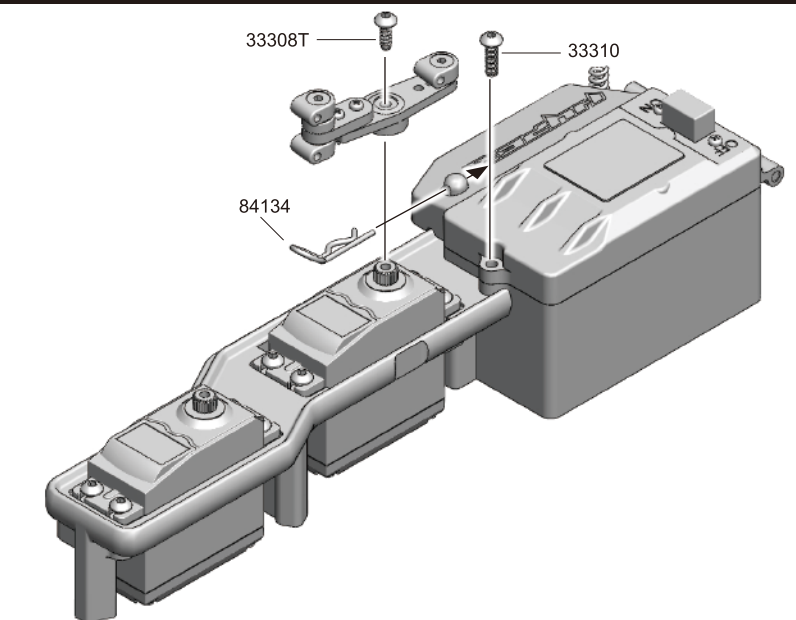
34



33310
3x10mm x1
B/H Screw



84134
Snap Pin x1

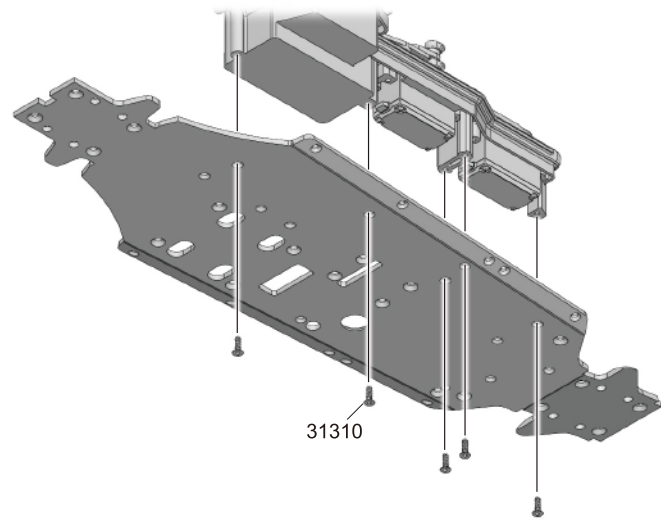


Radio Tray Unit Assembly



31310
3x10mm x5
F/H Screw

35



Fuel Tank Assembly



33308
3x8mm x1
B/H Screw

36



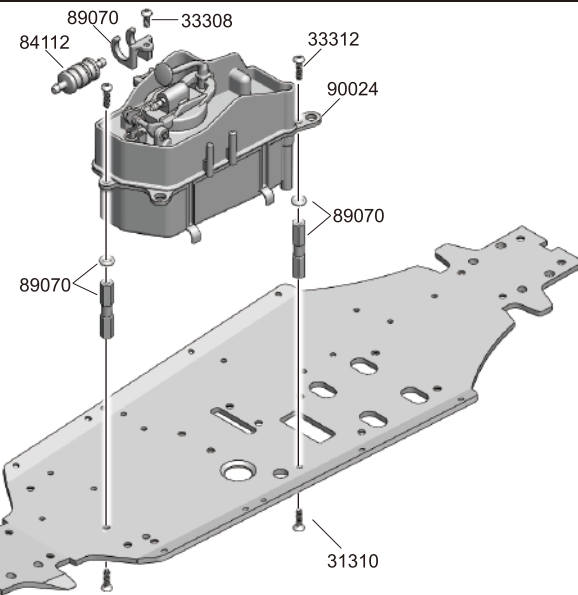
33312
3x12mm x2
B/H Screw



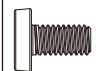
31310
3x10mm x2
F/H Screw



89070
4x8mm x2
O-Ring



Engine Mount/Clutch Assembly

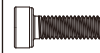


39408
4x8mm x4
Engine Screw

37



32314
3x14mm x4
Cap Screw



32310
3x10mm x1
Cap Screw



87079-1
M3 Nut x4



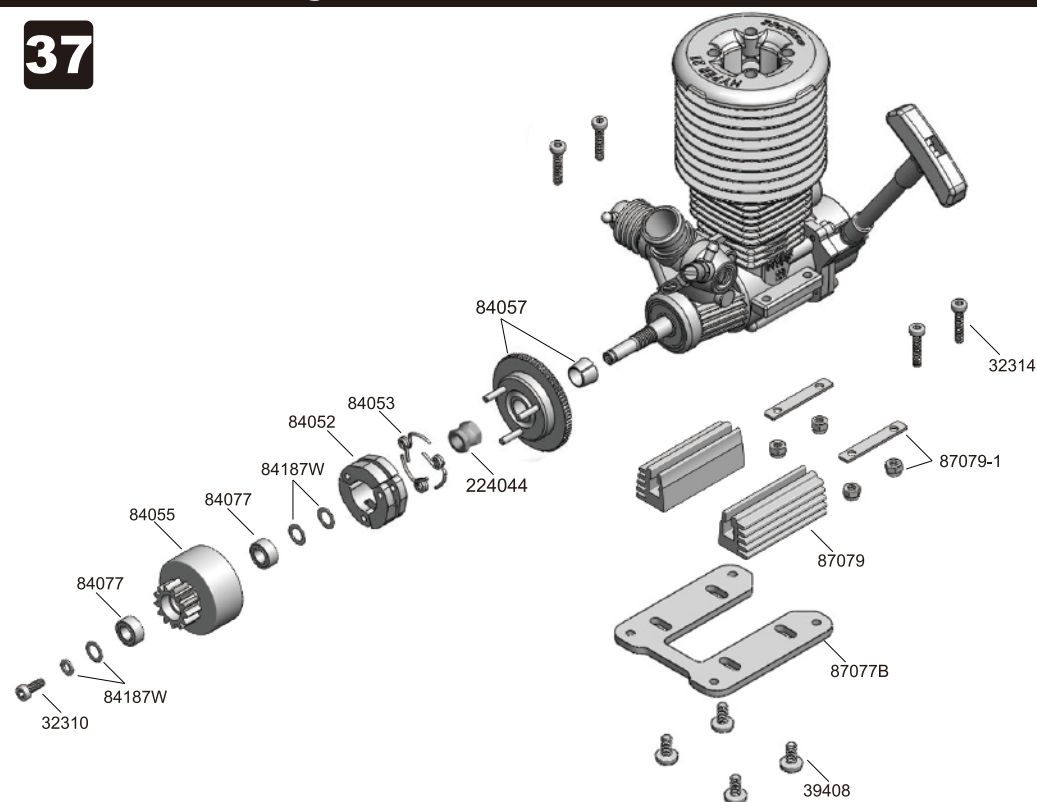
84187W
3x6x0.5mm x1
Washer



84187W
5x8x0.25mm x3
Washer

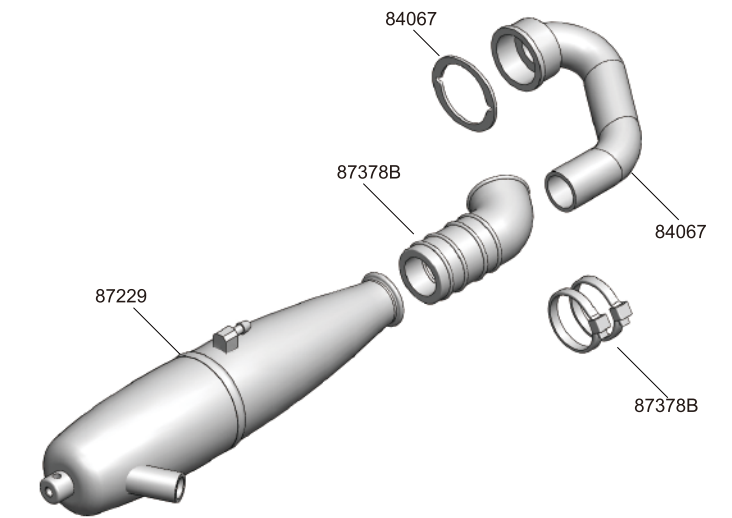


84077
5x10x4mm x2
Ball Bearing



Manifold/Muffler Assembly

38

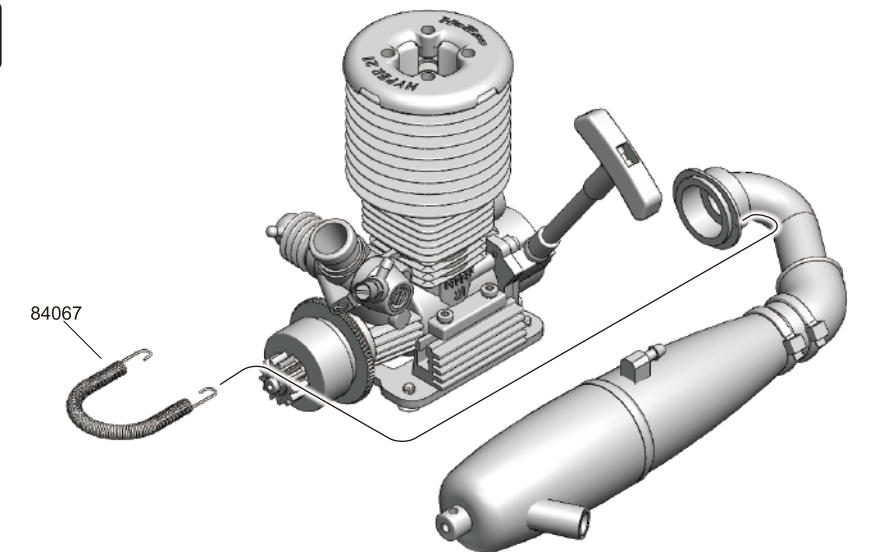


Muffler Assembly



38303
3x3mm x2
Set Screw

39



Engine Unit Assembly

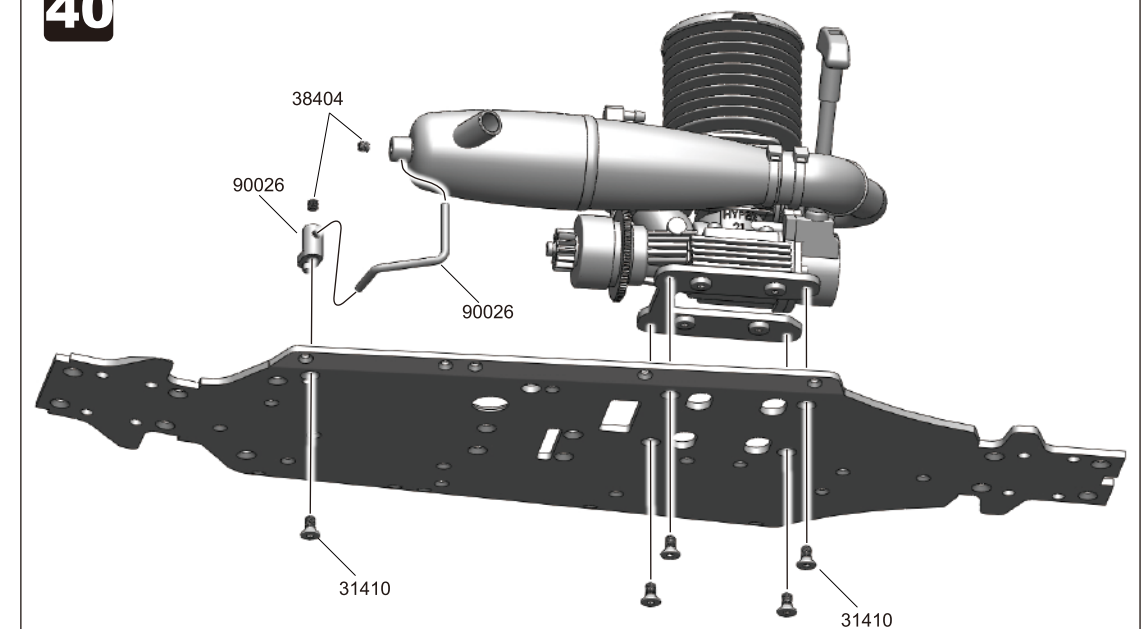


38404
4x4mm x2
Set Screw

40



31410
4x10mm x5
F/H Screw



Throttle Link Assembly

38

- 87091 3x3mm x2 Set Screw
- 87091 Collet x2

Steering/Brake Link Assembly

39

- 87092 3x3mm x4 Set Screw
- 87092 Pivot Ball x2
- 33308 3x8mm x1 B/H Screw
- 90025 5.8mm x1 Ball Flanged
- 87092 x2 Collet
- 32308 3x8mm x1 Cap Screw

Air Filter Assembly 1

40

- 31312 3x12mm x1 F/H Screw

Air Filter Assembly 2

41

- 33315 3x15mm x1 B/H Screw

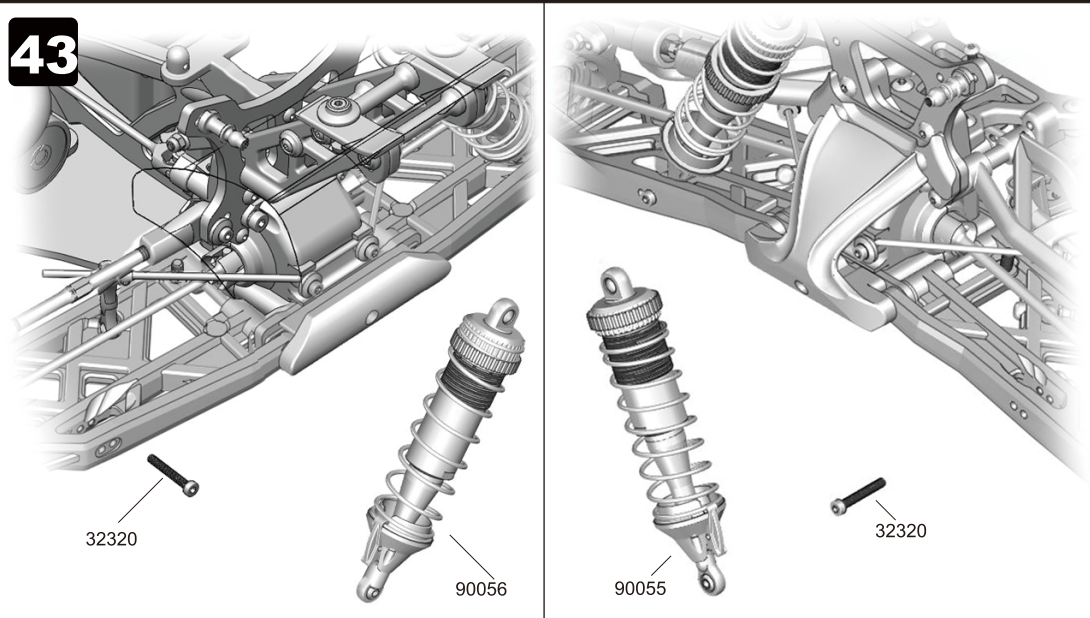
Fuel Line Assembly 1

42

Front/Rear Shock Assembly

32320
3x20mm x4
Cap Screw

43

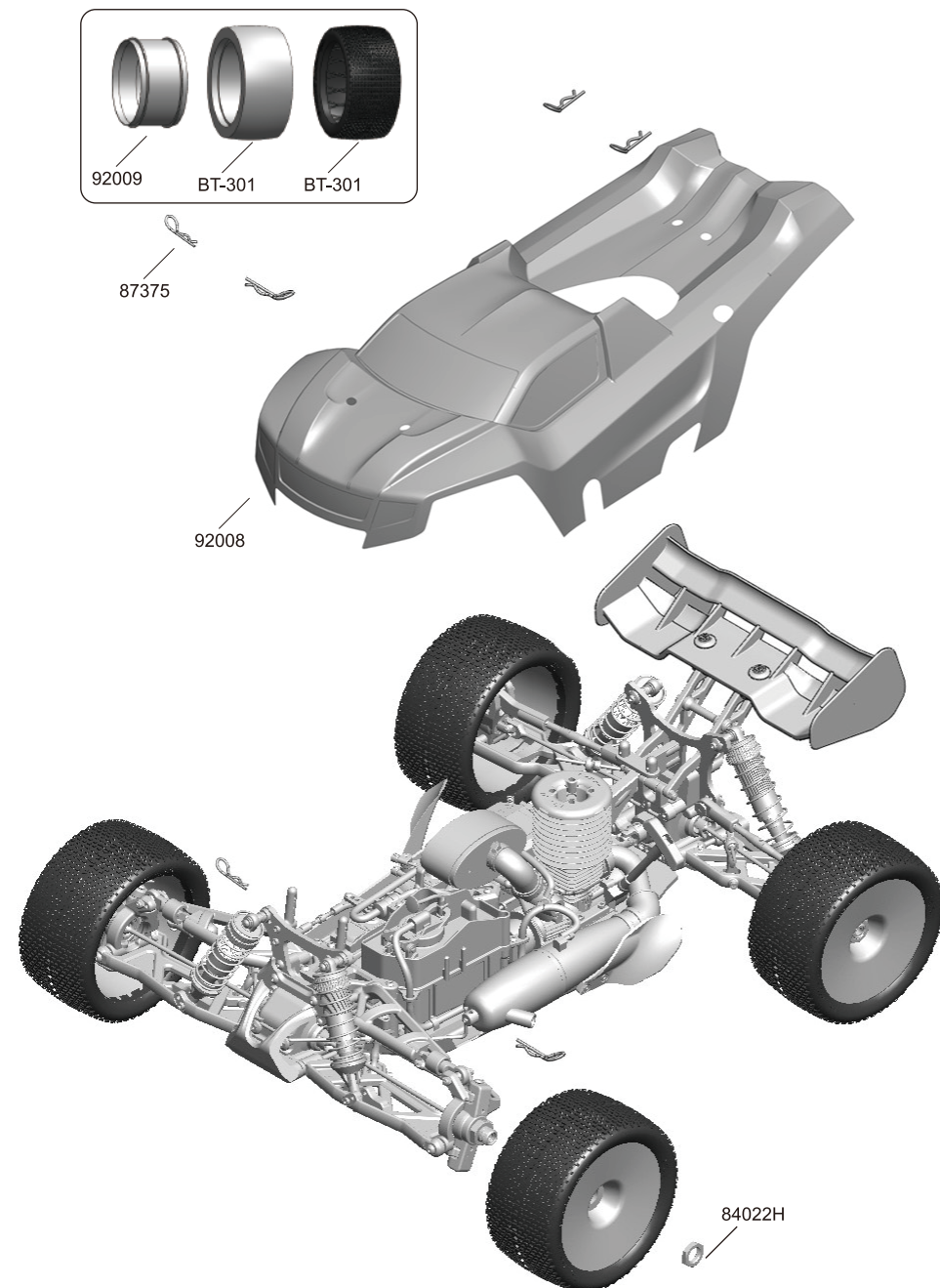


Tire Assembly

84022H
Wheel Hex Nut x4

87375
Body Clip x6

44

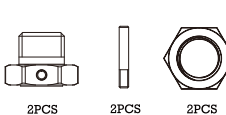

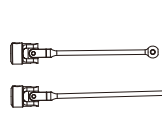
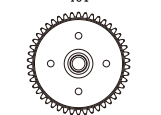
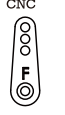
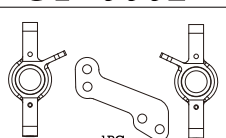

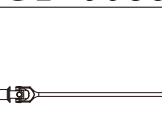
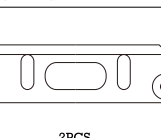
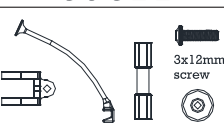
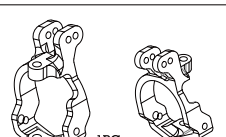
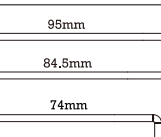
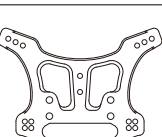
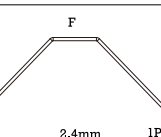
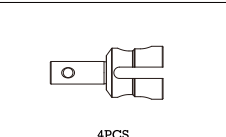
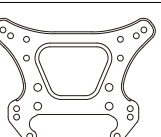
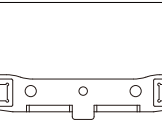
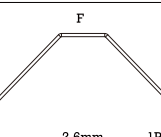
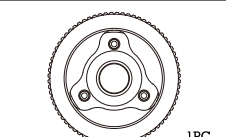
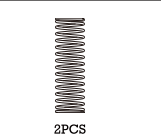
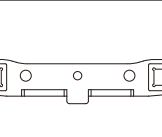
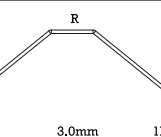
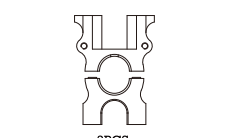

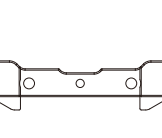
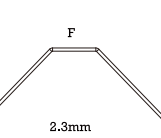
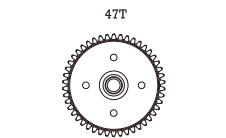
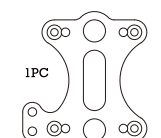
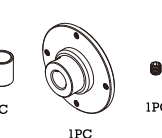
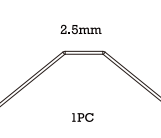
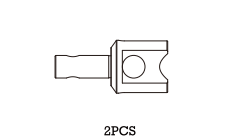
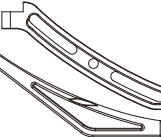
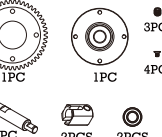
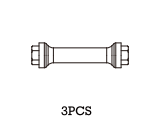

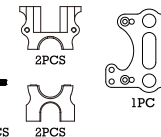

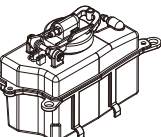

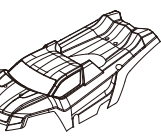
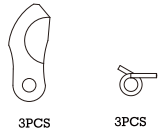
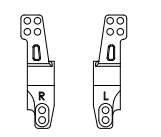


HYPER SS TRUGGY

PARTS LIST 1/8TH SCALE RACING TRUGGY

STANDARD PARTS		89070	FUEL TANK POST & MOUNT	90054	FRONT/REAR SHOCK ABSORBER SET
86001	CROWN GEAR 43T	89014	FRONT ARM SHAFT 4x65.7MM	90055	FRONT SHOCK ABSORBER SET
86002	DIFFERENTIAL PINION GEAR 11T	89084	ANTENNA PIPE AND POST	90056	REAR SHOCK ABSORBER SET
86015	TURNBUCKLE 4.2x82MM	89107	SHOCK BALL STUD 6.8MM	90058	FRONT/REAR CHASSIS STIFFENER SET
86023	TURNBUCKLE 5x80MM	89143	FIBER BRAKE DISK	90073	SST FRONT SHOCK TOWER
86040	AIR FILTER BASE AND CAP	90002	FRONT LOWER ALUM ARM HOLDER - A PLATE	92001	FRONT LOWER ARM SET
87002	BEVEL GEAR SET	90003	FRONT/REAR LOWER NYLON ARM HOLDER - C PLATE	92002	FRONT UPPER ARM SET
87003	DIFFERENTIAL OUTDRIVE CUP	90004	L/R C-HUB SET	92003	CVD SHAFT
87004	DIFFERENTIAL CASE	90005	C-HUB BUSHING	92004	BODY POST
87005-1	SPACER 6.2x13.9x0.3MM	90006	STEERING KNUCKLE SET	92005	REAR LOWER ARM SET
87006	CENTER DIFFERENTIAL OUTDRIVE CUP	90008	REAR LOWER ALUM ARM HOLDER - A PLATE	92006	REAR SHOCK TOWER
87018	SHOCK BOOTS	90009	REAR SUSPENSION ARM BALL END 7.8MM	92007	AXLE
87021	OUTDRIVE CUP	90011	WING MOUNT SET	92008	PRINTED BODY
87023	GEAR BOX	90012	CENTER DIFFERENTIAL TOP PLATE/AIR FILTER HOLDER	92009B/W/Y	REVO WHEEL-BLACK/WHITE/YELLOW
87027	WHEEL HUB SET	90013	FRONT ALUM TOP PLATE	92010	CHASSIS
87027-1	PIN 2.5x16.8MM	90014	SERVO SAVER SET	92011	FRONT/REAR CENTER DRIVE SHAFT SET
87037	AXLE CUP	90016	PIN 3x48MM	BT-301	TIRE WITH INSERT
87044S	ALUM COLLAR	90017	REAR LOWER ALUM ARM HOLDER - B PLATE	84022H	WHEEL HEX NUT
87048	CENTER DIFFERENTIAL MOUNT	90019	FRONT/REAR BUMPER SET	84052	CLUTCH SHOE
87049	BRAKE PAD	90021	FRONT TOP PLATE HOLDER	84053	CLUTCH SPRING
87050	CENTER DIFFERENTIAL MOUNT POST	90022	ADJUSTABLE INSERT SET	84055	CLUTCH BELL 14T
87054	BRAKE CAM SET	90023	SIDE GUARD/MUD DEFLECTOR	84057	FLYWHEEL
87070	REAR CHASSIS STIFFENER SCREW SET	90024	FUEL TANK 150cc	84067	MANIFOLD SET
87077B	ENGINE MOUNT PLATE	90025	BALL END/BALL FLANGED 5.8MM	84076	BEARING 8x16x5MM
87078	FUEL TUBE	90026	MUFFLER MOUNT SET	84077	BEARING 5x10x4MM
87079	ENGINE MOUNT	90027	RADIO TRAY SET	84078	BEARING 6x10x3MM
87079-1	ENGINE MOUNT SPACER & SCREW SET	90028	SCREW M3x50MM	84112	FUEL FILTER
87091	THROTTLE LINKAGE SET	90030	FRONT SHOCK SHAFT	84133	SWITCH COVER - BLUE
87092	BRAKE LINKAGE SET	90031	REAR SHOCK SHAFT	84134	SNAP PIN
87229	MUFFLER	90033	FRONT STABILIZER SET	84187W	CLUTCH BELL WASHER
87330	TURNBUCKLE M5x31	90034	REAR STABILIZER SET	30002	BALL LONG 7.8MM
87338	CENTER SPUR GEAR 48T	90036	SHOCK ABSORBER REPAIR SET	30003	STEERING BALL 6.8MM
87356-1	FRONT ANTI-ROLL BAR 2.5MM	90038	HINGE PIN	30004	BALL 6.8MM
87375	BODY CLIP	90043	FRONT SHOCK SPRING	30005	BALL FLANGED 7.8MM
87378B	MUFFLER SILICON TUBE	90044	REAR SHOCK SPRING	34316	BRAKE SCREW M3x16.5MM
87562/B	REAR WING - WHITE/BLACK	90045	FRONT SHOCK BODY	36001	PIN 2.5x13.8MM
87604	SERVO HORN	90046	REAR SHOCK BODY	36101	O-RING 5.8x1.9MM
88064-1	INTAKE TUBE	90047	SHOCK PISTON	36102	O-RING 22x0.9MM
88013	REAR ARM SHAFT 4x74MM	90048	SHOCK BLADDER	39008	NYLON NUT M3
88093	AIR FILTER FOAM	90049	SHOCK NYLON SET	39408	ENGINE MOUNT SCREW
89027	REAR HUB SET	90050	BALL FLANGED 6.8MM	22115	BEARING 12x18x4MM
89037	SERVO SAVER ARM SET	90052	SHOCK CAP TOP	224044	FLYWHEEL NUT
89039	NYLON STEERING BALL END 6.8MM	90053	SHOCK CAP BOTTOM	11235	TURNBUCKLE 3x36.5MM




86001 43T 8.8x1.9mm x2PCS O-ring 3x12mm x4PCS Screw 1PC	87018 4PCS	87077B 1PC	87378B 2PCS 4PCS	89084 1PC 3x10mm Screw 3x8mm Screw	90011 1PC 1PC 3PCS 1PC 1PC	90024 1PC	90038 4PCS M3x8 4PCS	90056 2PCS	92008 1PC	84067 1PC 2PCS	30005 7.8mm x4PCS	
86002 11T 1PC	87021 2PCS 5x4mm Set screw 2PCS	87078 FUEL TUBE 2PCS	87562/B 1PC	87604 1PC	89107 6.8mm 4PCS	90012 1PC 1PC	90025 2PCS 2PCS	90043 2PCS	90044 2PCS	90058 1PC	84076 8x16mmx5 x4PCS	34316 3x16.5mm x4PCS
86015 1PC	87023 1PC 1PC	87079 2PCS 2PCS	88013 4x74MM 2PCS	89143 2PCS	90013 1PC	90026 4x4mm Set screw 1PC	90045 2PCS	90046 2PCS	90073 1PC	92010 1PC	84077 5x10mmx4 x4PCS	36001 2.5x13.8mm x4pcs
86023 1PC	87027 2PCS 5x5mm x2PCS Set screw 2.5x16.8mm 2PCS	87079-1 2PCS 4PCS 3x14mm screw 4PCS	88064-1 2PCS 1PC	90002 1PC	90014 74mm 1PC 2PCS 2PCS 1PC 1PC 3x3mm X2 Set screw	90027 1PC 1PC 1PC	90047 4PCS	90048 4PCS	92001N 1PC	92011 1PC CENTER(F) 1PC CENTER(R)	84078 6x10mmx3 x4PCS	36101 5.8x1.9mm x10pcs O-ring
86040 1PC 1PC	87027-1 2.5x16.8mm 4PCS	87091 1PC 1PC 3x3mm x2PCS Set screw 1PC	88093 2PCS 2PCS	90003 1PC 1PC	90016 3x48mm 2PCS	90028 3x50mm 2PCS	90049 4PCS	92002 1PC	BT-301 1PC	84112 1PC	36102 22x0.9mm x6pcs O-ring	
87002 2PCS 2PCS 4PCS 4PCS	87037 2PCS	87044S 3x10mm 10PCS	87092 1PC 2PCS 3x3mm x4pcs Set screw 1PC 1PC 2PCS 2PCS	89014 4x65.7MM 2PCS	90004 L R 1PC 1PC	90030 2PCS	90050 2PCS	92003 2PCS	84022H 4PCS	84133 3PCS	84134 1PC	36801 15 x4.5mm x4PCS
87003 2PCS	87048 2PCS	87049 4PCS	87229 1PC 4x4mm Set screw	89027 L R 1PC 4PCS	90005 4PCS 4x18mm x4PCS screw	90031 2PCS	90052 2PCS	92004 2PCS 1PC	84052 3PCS	84187W 3x6x0.5mm 6PCS 5x8x0.25mm 6PCS	39008 M3 x10PCS	39408 4x8mm x5PCS
87004 1PC 4x4mm Set screw 1PC	87050 4PCS	87330 5x31mm 2PCS	89037 1PC	90006 L R 1PC 1PC	90021 1PC 1PC	90033 F 1PC 2.5mm 2PCS 6.8mm x2 3x3mm x2 Set screw	90053 2PCS	92005N 1PC	84053 4PCS	30002 7.8mm x4PCS	22115 12x18x4mm	
87005-1 6.2x13.9x0.3mm 6PCS	87054 1PC 2PCS 3x3mm x2PCS Set screw	87338 48T 1PC	89039 1PC 6.8mm	90008 R(F) 1PC	90022 4PCS 4PCS	90034 R 1PC 2.5mm 2PCS 6.8mm x2 3x3mm x2 Set screw	90054 2PCS 2PCS	92006 1PC	84055 14T	30003 6PCS	224044 2PCS	
87006 2PCS	87070 3x50mm screw 1PC 1PC	87375 3x8mm x1PC 3x15mm x1PC 1PC 1PC 2PCS 4PCS	89070 1PC 1PC	90009 2PCS 2PCS	90023 L R 1PC 1PC	90036 5PCS 5PCS 10PCS	90055 2PCS	92007 2PCS	84057 1PC	30004 6.8mm x4PCS	11235 3x36.5mm 2PCS	

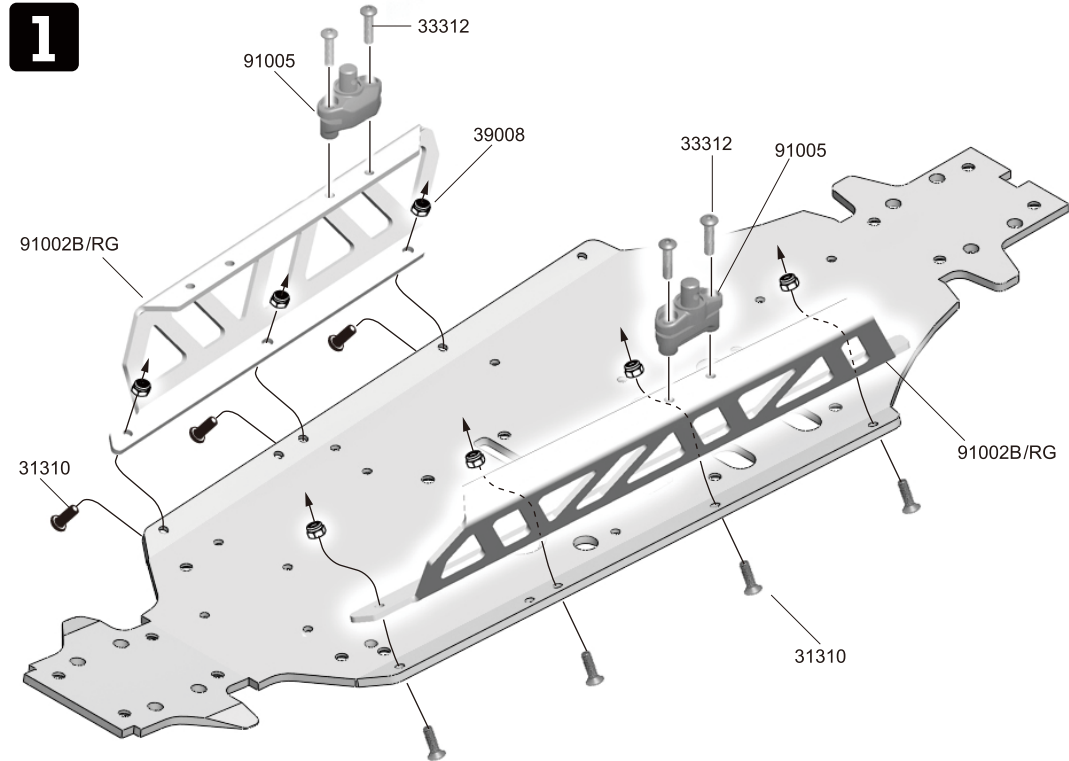
OP-0001  2PCS 2PCS 2PCS	OP-0017  5X12 BEARING 18T	OP-0058  2	87005  46T 1PC	89635  CNC 1PC
OP-0002  1PC	OP-0018  5X12 BEARING 19T	OP-0059  1PC	87077C  2PCS	89811  1PC 1PC 2PCS 4PCS
OP-0003  1PC	OP-0019  95mm 84.5mm 74mm	OP-0060  1PC	87329  F 2.4mm 1PC	
OP-0004  4PCS	OP-0025  1PC	OP-0064  1PC	87329-2  F 2.6mm 1PC	
OP-0005  1PC	OP-0045  2PCS	OP-0065  1PC	87329-3  R 3.0mm 1PC	
OP-0006  2PCS	OP-0046  2PCS	OP-0066  1PC	87356  F 2.3mm	
OP-0007  47T 1PC	OP-0049  1PC 2PCS	OP-0068  1PC 1PC 1PC	87356-1  2.5mm 1PC	
OP-0014  2PCS	OP-0050  1PC	OP-0069  1PC 1PC 3PCS 4PCS	88036  3PCS	
OP-0015  5X12 BEARING 16T	OP-0052  1PC 2PCS 4PCS 2PCS 1PC	OP-0070  5x12x4mm 2PCS	89069  1PC	
OP-0016  5X12 BEARING 17T	OP-0057  1PC	86121  3PCS 3PCS	89147  1PC 1PC	

SCREWS		OPTIONAL PARTS	
31310	M3 X 10 FLAT HEAD SCREW	OP-0001	WHEEL HEX
31312	M3 X 12 FLAT HEAD SCREW	OP-0002	CNC STEERING KNUCKLE SET
31315	M3 X 15 FLAT HEAD SCREW	OP-0003	CNC L/R C-HUB SET
31317	M3 X 17 FLAT HEAD SCREW	OP-0004	LIGHT WEIGHT DIFFERENTIAL OUTDRIVE CUP
31318	M3 X 18 FLAT HEAD SCREW	OP-0005	LIGHT WEIGHT FLYWHEEL
31320	M3 X 20 FLAT HEAD SCREW	OP-0006	CNC CENTER DIFFERENTIAL MOUNT
31410	M4 X 10 FLAT HEAD SCREW	OP-0007	CENTER SPUR GEAR 47T
31414	M4 X 14 FLAT HEAD SCREW	OP-0014	LIGHT WEIGHT CENTER DIFFERENTIAL OUTDRIVE CUP
32306	M3 X 6 CAP HEAD SCREW	OP-0015	CNC CLUTCH BELL 16T (5X12 BEARING)
32308	M3 X 8 CAP HEAD SCREW	OP-0016	CNC CLUTCH BELL 17T (5X12 BEARING)
32310	M3 X 10 CAP HEAD SCREW	OP-0017	CNC CLUTCH BELL 18T (5X12 BEARING)
32314	M3 X 14 CAP HEAD SCREW	OP-0018	CNC CLUTCH BELL 19T(5X12 BEARING)
32316	M3 X 16 CAP HEAD SCREW	OP-0019	ACKERMAN ROD SET
32320	M3 X 20 CAP HEAD SCREW	OP-0025	CNC LIGHT WEIGHT REAR SHOCK TOWER
32325	M3 X 25 CAP HEAD SCREW	OP-0045	FRONT SHOCK SPRING -ORANGE
32350	M3 X 50 CAP HEAD SCREW	OP-0046	REAR SHOCK SPRING -ORANGE
32415	M4 X 15 CAP HEAD SCREW	OP-0049	CNC CENTER DIFF. TOP PLATE
32440	M4 X 40 CAP HEAD SCREW	OP-0050	CNC F/R CHASSIS STIFFENER SET
33305	M3 X 5 BUTTON HEAD SCREW	OP-0052	CNC CENTER DIFF. MOUNT SET
33308	M3 X 8 BUTTON HEAD SCREW	OP-0057	CLEAR BODY
33308T	M3 X 8 BUTTON HEAD TAP SCREW	OP-0058	CENTER UNIVERSAL DRIVE SHAFT SET
33310	M3 X 10 BUTTON HEAD SCREW	OP-0059	REAR UNIVERSAL DRIVE SHAFT
33312	M3 X 12 BUTTON HEAD SCREW	OP-0060	CNC LIGHT WEIGHT REAR SHOCK TOWER
33315	M3 X 15 BUTTON HEAD SCREW	OP-0064	CNC REAR LOWER ALUM ARM HOLDER 2"-3"-4" - B PLATE
33414	M4 X 14 BUTTON HEAD SCREW	OP-0065	CNC REAR LOWER ALUM ARM HOLDER 2.5"-3.5"-4.5" - B PLATE
34316	M3 X 16 HEX SCREW	OP-0066	CNC REAR LOWER ALUM ARM HOLDER - A PLATE
35208	M2 X 8 PAN HEAD SCREW	OP-0068	GEAR HOLDER FOR CENTER SOLID AXLE
35210	M2 X 10 PAN HEAD SCREW	OP-0069	CENTER SOLID AXLE SET FOR HYPER 7/SS
35412	M4 X 12 BUTTON HEAD SCREW	OP-0070	BEARING 5x12MM
35418	M4 X 18 BUTTON HEAD SCREW	86121	CNC CLUTCH SHOES
35422	M4 X 22 BUTTON HEAD SCREW	87005	CENTER SPUR GEAR 46T
38303	M3 X 3 SET SCREW	87077C	CNC LIGHT WEIGHT ENGINE MOUNT PLATE
38308	M3 X 8 SET SCREW	87329	FRONT ANTI-ROLL BAR 2.4MM
38404	M4 X 4 SET SCREW	87329-2	FRONT ANTI-ROLL BAR 2.6MM
38504	M5 X 4 SET SCREW	87329-3	REAR ANTI-ROLL BAR 3.0MM
38505	M5 X 5 SET SCREW	87356	FRONT ANTI-ROLL BAR 2.3MM
39008	M3 NYLON NUT	87356-1	FRONT ANTI-ROLL BAR 2.5MM
		88036	CNC WING MOUNT POST
		89069	FUEL TANK 125cc
		89147	CNC REAR WHEEL HUB
		89635	CNC FUTABA SERVO HORN
		89811	8 SC FUEL TANK POST AND LID PULL




HYPER EDGE TRUGGY

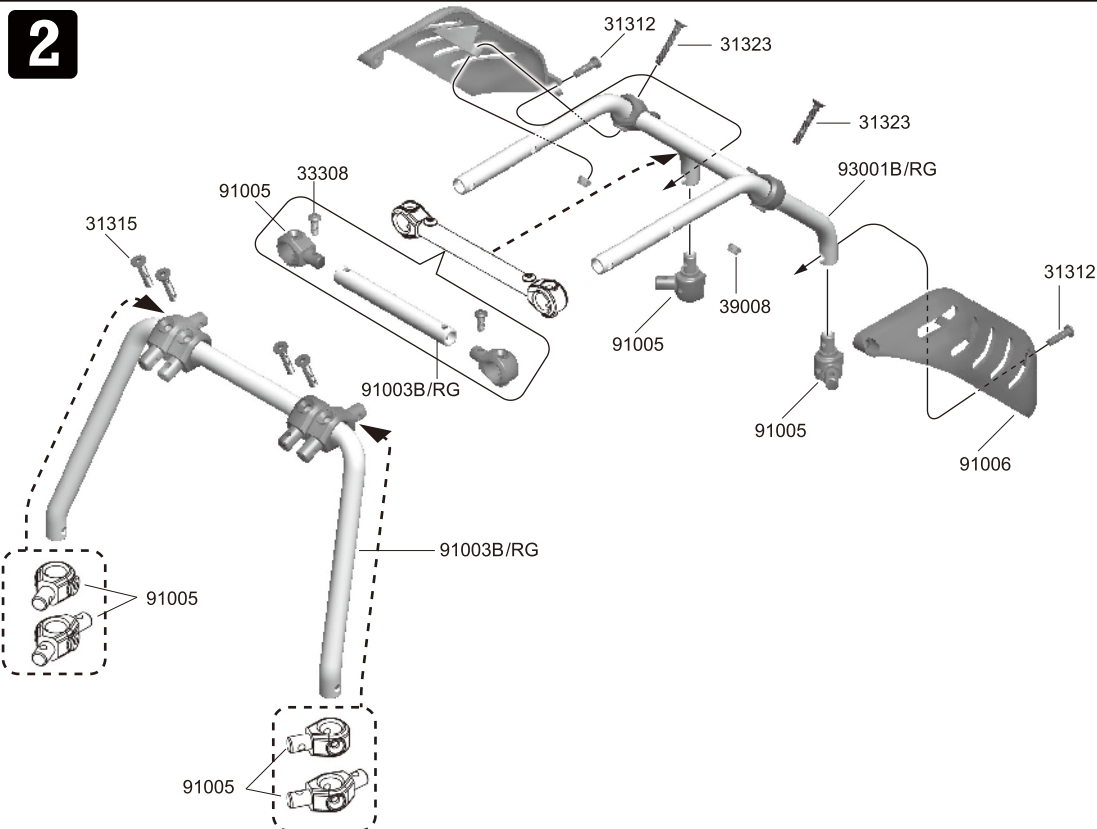
Cage Assembly 1

-  33312
3x12mm x4
B/H Screw
-  39008
M3 Nut x7
-  31310
3x10mm x7
F/H Screw







Cage Assembly 2

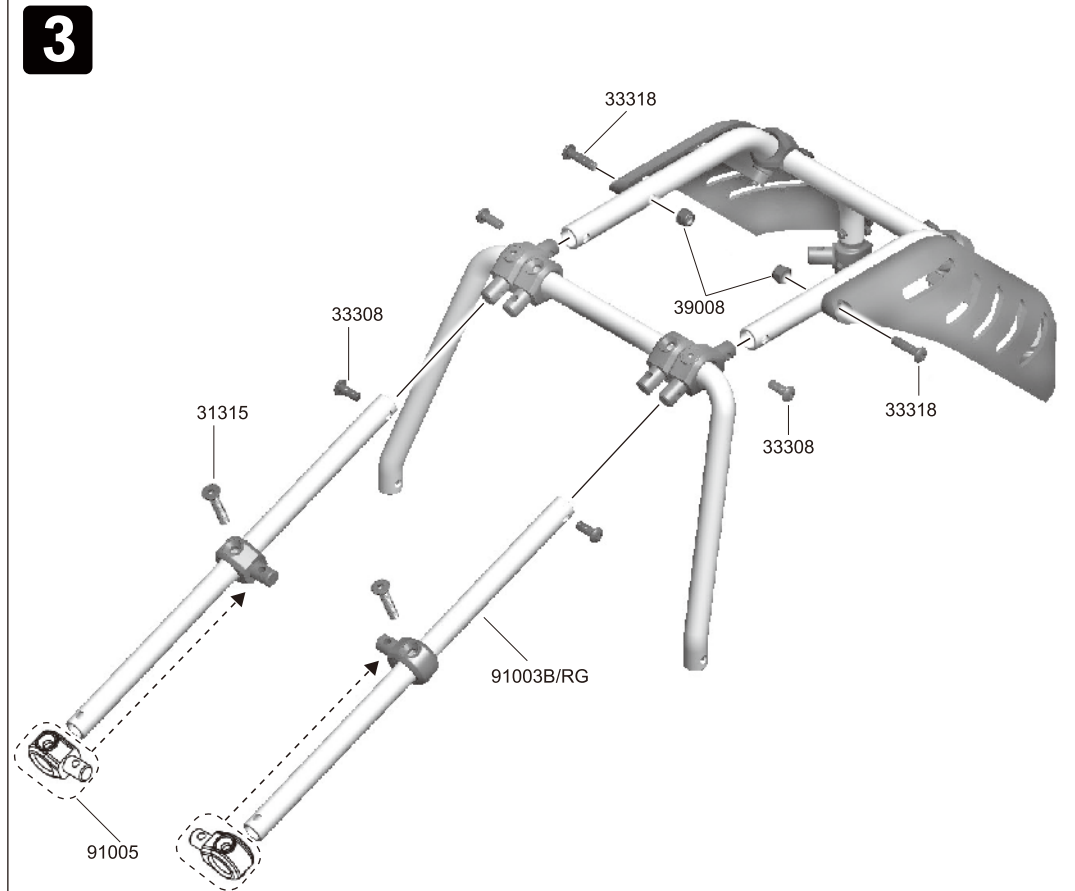
-  31312
3x12mm x2
F/H Screw
-  31315
3x15mm x6
F/H Screw
-  31323
3x23.8mm x2
F/H Screw





26

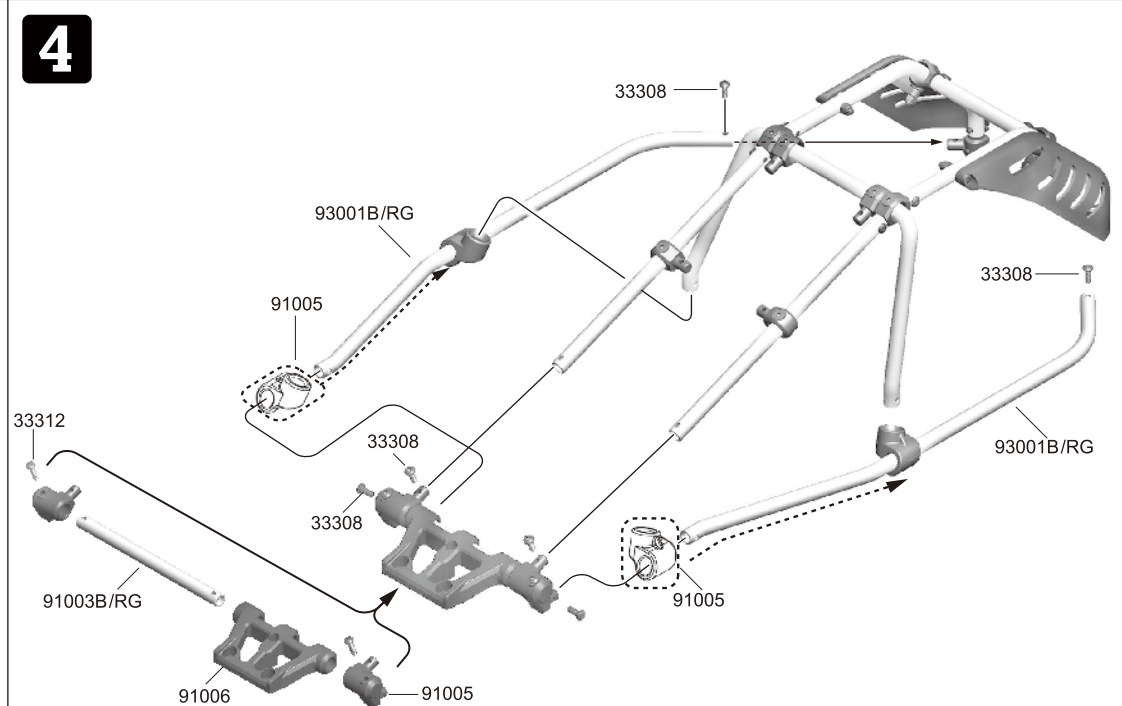
Cage Assembly 3

-  31315
3x15mm x6
F/H Screw
-  39008
M3 Nut x4
-  33308
3x8mm x4
B/H Screw
-  33318
3x18mm x2
B/H Screw






Cage Assembly 4

-  33308
3x8mm x6
B/H Screw
-  33312
3x12mm x2
B/H Screw

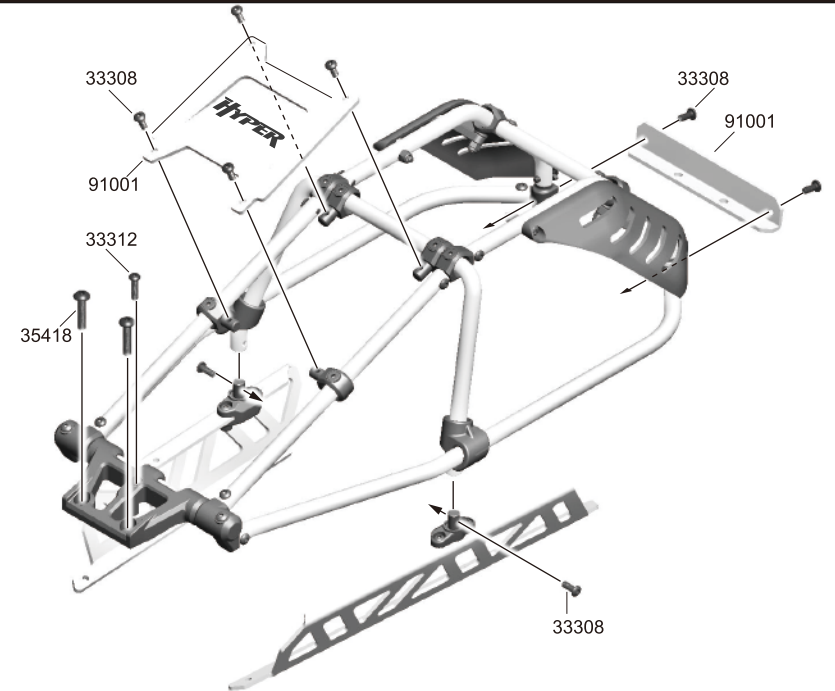


27

Cage Assembly 4

-  33308
3x8mm x8
B/H Screw
-  33312
3x12mm x1
B/H Screw
-  35418
4x18mm x2
B/H Screw

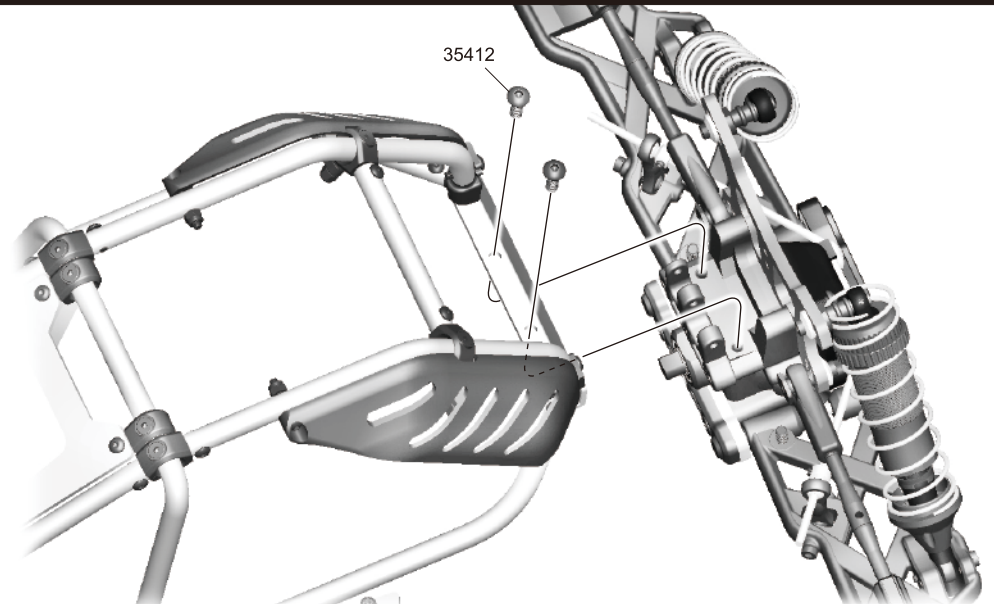
5



Cage Rear Mount Installation

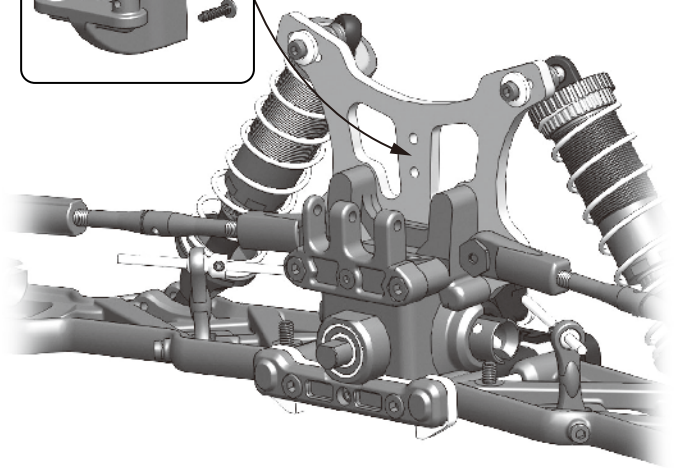
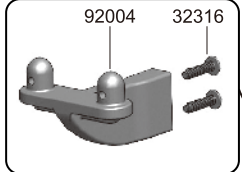
-  35412
4x12mm x2
B/H Screw

6



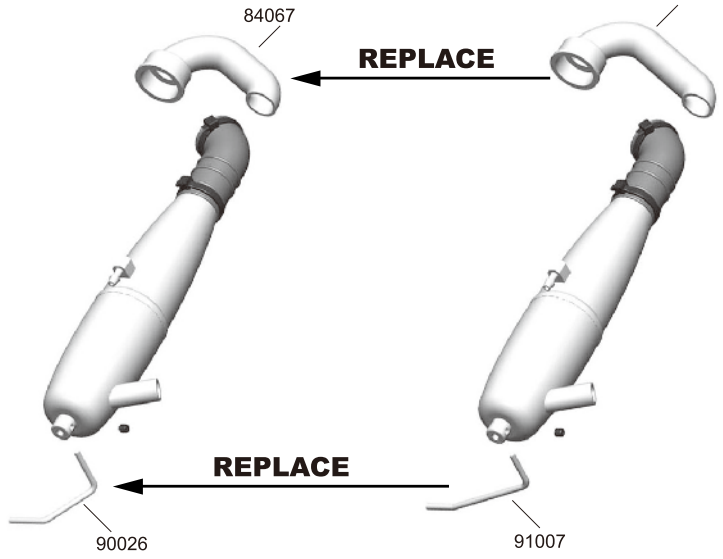
Rear Body Post Removal

REMOVE



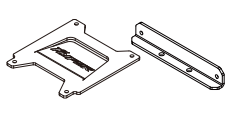
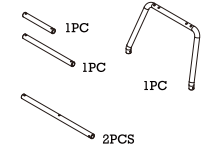
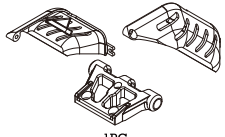
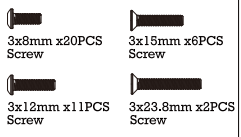
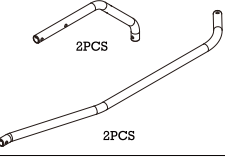
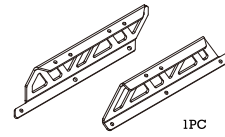
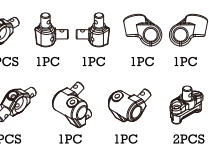
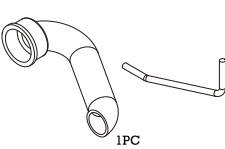
Manifold/Muffler Mount Replacement

OLD **NEW**



HYPER SS EDGE TRUGGY

PARTS LIST

91001  1PC	91003B/RG  1PC 1PC 2PCS	91006  1PC	91008  3x8mm x20PCS Screw 3x15mm x6PCS Screw 3x12mm x11PCS Screw 3x23.8mm x2PCS Screw 3x18mm x2PCS Screw M3 x11PCS 4x12mm x2PCS Screw 4x18mm x2PCS Screw	93001B/RG  2PCS
91002B/RG  1PC	91005  6PCS 1PC 1PC 1PC 1PC 2PCS 1PC 1PC 2PCS	91007  1PC		

91001	FRONT TOP HOOD/REAR MOUNT	91006	FRONT TOP PLATE/REAR SIDE FENDERS
91002B/RG	CAGE SIDE GUARDS	91007	MANIFOLD/MUFFLER MOUNT WIRE
91003B/RG	FRONT/MIDDLE CAGE TUBE	91008	SCREW SET
91005	CAGE TUBE CONNECTING PIVOTS	93001B/RG	SIDE/REAR CAGE TUBE

HYPER SS EDGE TRUGGY

